

LIFESTYLE
BUILT-IN APPLIANCES

2022



CARYSIL
Lifestyle Sinks & Built-in Appliances

CARYSIL
Lifestyle Sinks & Built-in Appliances

CARYSIL
Lifestyle Sinks & Built-in Appliances



DESIGN MEETS INNOVATIVE TECHNOLOGY.

APPLIANCES THAT TAKE ON THE ROLE OF
YOUR ASSISTANT IN THE KITCHEN.

EXPLORE MORE.



Chirag A. Parekh
Chairman & Managing Director

Founded in India in 1989 by Late Shree Aswhin M. Parekh, the Carysil Group has come a long way since it produced its first kitchen sink. 30 years later his son, CMD Chirag A. Parekh, has led us into becoming one of the largest producers of quartz kitchen sinks in the world, under our brand Carysil. Now reaching customers in over 45 countries we are one of the largest producer of quartz kitchen sinks in the world.

Our innovative and design-led approach to production is what sets us apart in the market place. The revolutionary Carysil quartz composite kitchen sinks is what we're best known for, thanks to its high-design look and toughened finish.

Our expertise with German Technology has paved the way for diversifying into stainless steel kitchen sinks. We now successfully make and market stainless steel sinks, taps, food waste disposer units, and kitchen appliances like hobs and cooktops, ovens, wine chillers and dishwashers.

Carysil is experiencing unprecedented global growth thanks to the success of our luxury kitchen range. A hugely popular brand in the US, UK, Germany, Canada and China, the Far East and Gulf countries, our future looks bright.

THE COMPANY



AROUND THE WORLD



You can discover our entire kitchen range in 6 continents and in over 50+ countries through our established and ever-expanding worldwide network of retail partners including the North and South America, United Kingdom, Canada, China, Germany, France, the Far East and the Gulf states; and through our subsidiaries in the UK, Germany and the United States of America



CARYSIL

Lifestyle Sinks & Built-in Appliances

TABLE OF CONTENTS

OUR BELIEF - INNOVATION	02
BUILT-IN COFFEE MAKER	12
BUILT-IN OVEN	20
BUILT-IN MICROWAVE OVEN	30
BUILT-IN COMBI OVEN	40
CHIMNEY	48
BUILT-IN HOB	88
BUILT-IN INDUCTION HOB	128
BUILT-IN FRYER	136
BUILT-IN BBQ	142
COOKING RANGE	148
COOKTOP	156
BUILT-IN DISHWASHER	164
BUILT-IN REFRIGERATOR	172
WINE CHILLER	180
ICE MAKER	188

**THE HEART
OF MY HOME**



CARYSIL

Lifestyle Sinks & Built-in Appliances

INTRODUCING BUILT-IN COFFEE MAKER





ALL THAT YOU NEED!

BUILT-IN COFFEE MAKER

- Touch control function.
- Multi-language LCD display.
- Intelligent pre brew aroma system.
- Coffee function: Regular coffee, double coffee, additional pre-ground coffee powder.
- Steam function for cappuccino.
- Hot water and rinsing function.
- Automatic cleaning and descaling indicator.



AUTOMATIC CONTROL SYSTEMS

The system provides convenient method to use the machine whilst maintaining product quality.

AUTOMATIC SELF-MAINTENANCE SYSTEM

A smart approach towards self-maintenance systems with in-built automatic cleaning and descaling indicator.



INTELLIGENT PRE BREW AROMA SYSTEM

This pre - brewing process allows maximum aroma to develop from coffee of any blend or roast.

FULL TOUCH CONTROL

With the touch of a button, get perfect coffee from the bean to the cup.



ADJUSTABLE COFFEE GRINDER

To transform the coffee experience from the inside out. Helps determine the coffee's flavour and strength. Delicious and more favourable.

LCD DISPLAY

Automatic and timely alert on the LCD screen for cleaning and descaling.



FROTHING NOZZLE FOR CAPPUCCINO SPOON

For the best all-around taste, instead of having different textures through the coffee.

REMOVABLE WATER TANK AND COFFEE BEAN CONTAINER

Avoids overflow and spills assisting a convenient cleaning process.



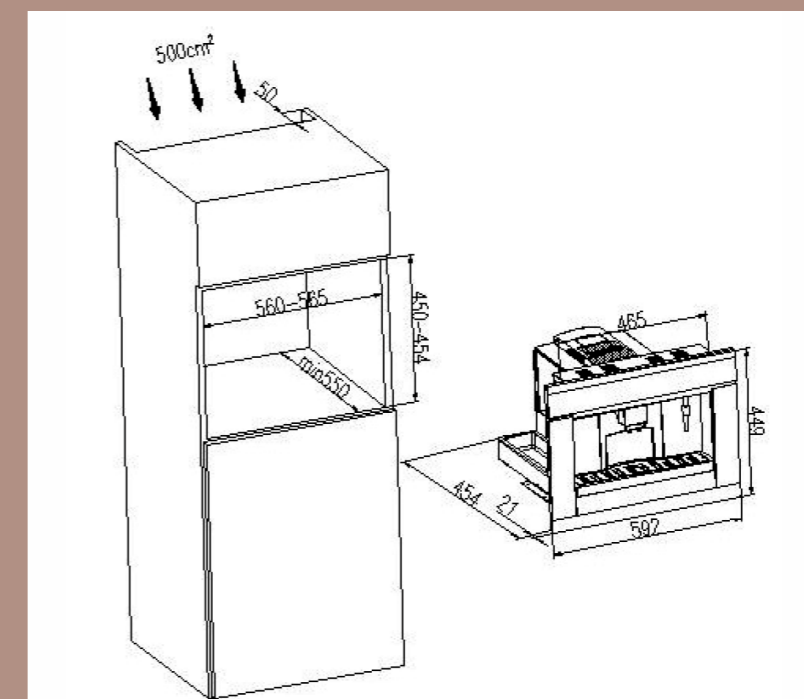
FREEDOM TO SELECT

- Regular coffee
- Double coffee
- Pre-ground coffee powder
- Steam function for cappuccino
- Rinsing function
- Hot water function



TECHNICAL DETAILS

TYPE:	Built in Automatic Coffee Machine with LCD Display
CAPACITY OF WATER TANK:	1.8 L (Removable)
COFFEE BEAN CONTAINER:	250g
ADJUSTABLE COFFEE STRENGTH:	Mild, Normal, Strong
PUMP MAX PRESSURE:	19bar
ADJUSTABLE AMOUNT OF COFFEE:	30cc-240cc
COFFEE TEMPERATURE:	73-88° C
FEATURES:	Touch button



INTRODUCING BUILT-IN OVENS

SAFE TECH!

CARYSIL

Lifestyle Sinks & Built-in Appliances





TASTE THE BEST

BUILT-IN OVEN

- Tft Touch Control & Auto Menus
- Smart Auto Cooking Recipes
- Grill, Convection & Rotisserie
- 11 Cooking Methods
- Removable Side Guides Rack Support
- Heat Preservation And Four Glazed Cool Glass Door





TFT TOUCH CONTROL

A TFT display is sharper and brighter, refreshes more quickly than a regular LCD display and displays motion more smoothly. Through the TFT display in IRIS 70, you can navigate to different cooking modes and settings of your oven, access your favourite recipes, etc.,

SIDE GUIDES RACK SUPPORT

Achieve comfortable and flexible access to your cooking.



LARGE VIEWING WINDOW

Can easily glance at the food being cooked inside.

FORCED COOLING SYSTEM

Two separate air flow systems to keep all surfaces on and around the appliance relatively cool.

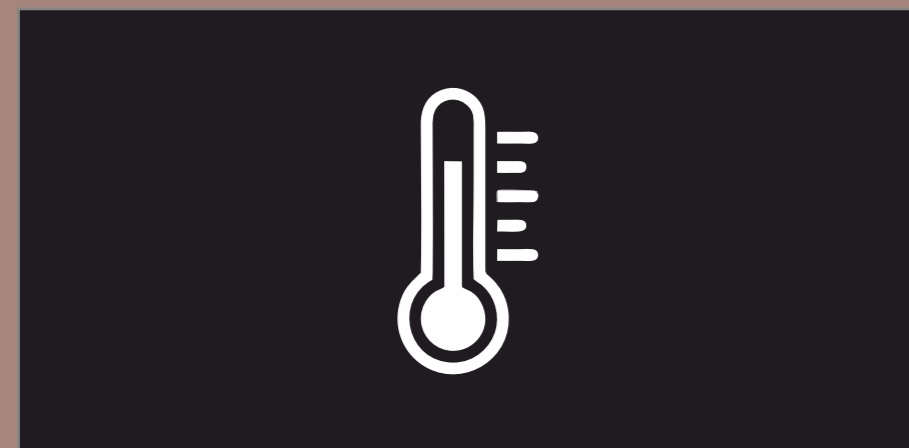


HIDDEN BOTTOM HEATING ELEMENT

A hidden-element produces a softer crust with less browning, than an oven with an exposed element .

SMOKE VENTILATION SYSTEM

The smoke ventilation system efficiently removes all the harmful substances in the air leaving the kitchen smelling fresh and clean.



TEMPERATURE PROBE

This allows for precise and customized grilling of meat, fish or poultry and sponges. This easy to use unit can make baking and grilling much of an experience.

AUTO COOK MENU

Want to be a gourmet chef but can't quite figure out where to start? The Auto cook menu brings to you 50 built-in recipes of different cuisines and food categories ranging from vegetables to meat and breakfast to desserts. In the process, you may come across food you had never thought of to cook in an oven, leading you to discover new and innovative ways of cooking!





CONVECTION BAKING

Essential for browning, roasting, and quick baking.

DEFROST

Reduces the thawing time for frozen food like meat, poultry, fish, bread, cake and fruit.



HEAT PRESERVATION

Function is ideal for crispier cooking like cookies, roasting vegetables, meat or fish, which require perfect heat distribution in the oven cavity.

ROTISSERIE GRILL

This feature helps grill fat items like kebabs with ease. Also ideal for roasting chicken, turkey and other meats to perfection.



REHEATING

This mode comes handy to keep the food warm without it being overcooked during the reheating process.

QUICK PREHEATING

Helps you to reduce the waiting time. In less than 5 mins the oven can achieve

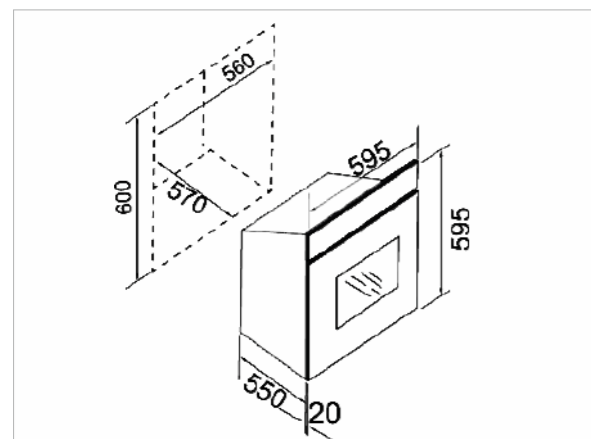


BUILT-IN OVEN BIO-01



TECHNICAL DETAILS

TYPE OF APPLIANCE	Fully Automatic
ENERGY RATING:	A
CAPACITY:	65L
MATERIAL:	Stainless Steel Handle with Tripple Layer Glass Door
FUNCTIONS:	8 functions
CONTROL:	Sensor Touch Control
GLASS:	3 Layer glass
CAVITY TYPE:	Easy clean enamel cavity
OVEN LAMP:	25w
TEMPERATURE RANGE:	30-250° C
INCLUDED ACCESSORIES	1 x Flat Tray + 1 x Chromed Grid Rotisserie
DIMENSION:	560 X 590 X 585 mm

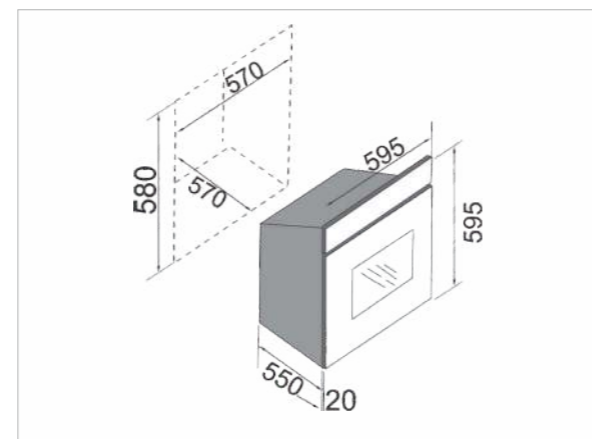


BUILT-IN OVEN BIO-02



TECHNICAL DETAILS

TYPE OF APPLIANCE	Semi Automatic
ENERGY RATING:	A
CAPACITY:	65L
MATERIAL:	Black Glass with Inox Strip
FUNCTIONS:	9 functions
CONTROL:	Pop-out roatary knob and push buttons
GLASS:	3 Layer glass
CAVITY TYPE:	Easy clean enamel cavity
OVEN LAMP:	25w
TEMPERATURE RANGE:	30-250° C
INCLUDED ACCESSORIES	1 x Flat Tray + 1 x Chromed Grid Rotisserie
DIMENSION:	560 X 590 X 585 mm

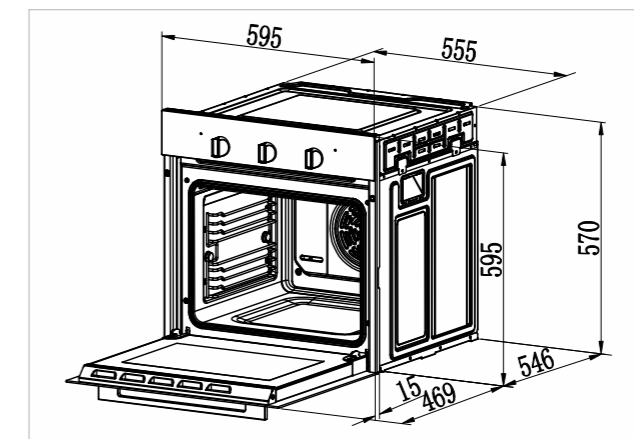


BUILT-IN OVEN BIO-03 WITH TFT TOUCH



TECHNICAL DETAILS

TYPE OF APPLIANCE	Fully Automatic
ENERGY RATING:	A
CAPACITY:	65 L
MATERIAL:	Black body and Black glass with inox strip + Tripple Layer Glass Door
FUNCTIONS:	11 Function + Auto Cooking
CONTROL:	5.0" TFT touch control & auto menus
GLASS:	Heat preservation & four glazed cool glass door
CAVITY TYPE:	Easy clean enamel cavity
OVEN LAMP:	25W
TEMPERATURE RANGE:	30-250° C
INCLUDED ACCESSORIES	1 x combination grid 1 x enamel baking tray Rotisserie
DIMENSION:	595 X 595 X 570 mm



CARYSIL

Lifestyle Sinks & Built-in Appliances

INTRODUCING
**BUILT-IN
MICROWAVE OVENS**





IN TIME ALWAYS

BUILT-IN MICROWAVE OVEN

- Smart Inverter Technology
- 5.0" TFT TouchControl
- Smart Recipes
- Microwave, Grill & Convection Function
- Intensive Bake
- Multi level Cooking

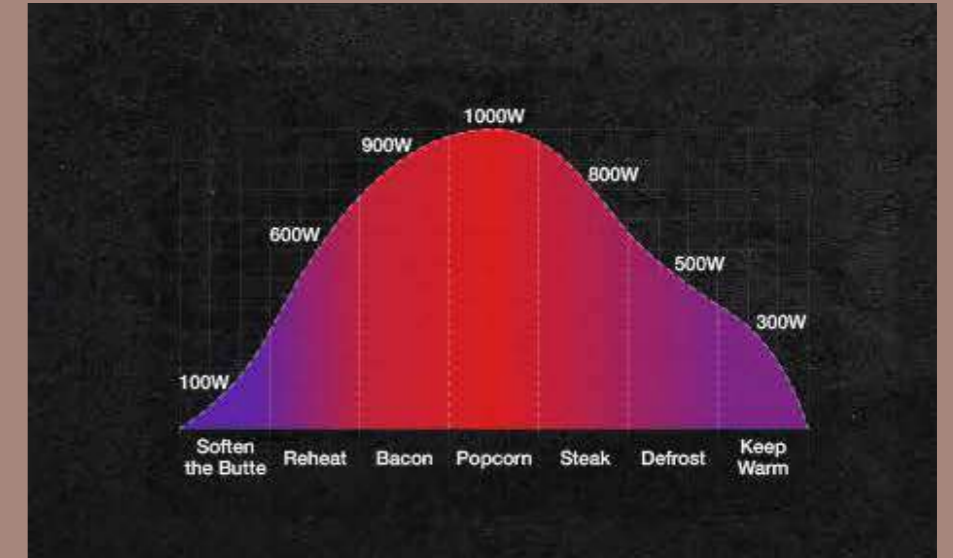


TFT TOUCH CONTROL

Convenient and easy to operate controls. With one touch you can choose the desired function and with the big display screen.

SMART INVERTER TECHNOLOGY

Smart Inverter allows adjusting the cooking power from 10% to 100%.



SMART RECIPES

Enjoy the auto cook menu with exciting in-built recipes that would never have been made in a microwave before.

POWERFUL CONVECTION & GRILL

This feature enables hot air to be evenly distributed so the food is cooked to perfection.



SMART CONTROL

Adjust the cooking time and temperatures remotely, at your convenience.

SMART DEFROST

With constant inverter microwave output, the ingredient can be defrosted timely and evenly.



INTENSIVE BAKE

The Bake function is for the traditional method of baking. Heating takes place from the top and bottom elements of the oven. This gives a moister baking result that is ideal for baking cakes and muffins.



DEFROST

Reduces the thawing time for frozen food like meat, poultry, fish, bread, cake and fruit.



ROTISSERIE GRILL

This feature helps grill fat items like kebabs with ease. Also ideal for roasting chicken, turkey and other meats to perfection. grilling is done from all the sides of the dish.



MULTI LEVEL COOKING

A program that allows multi-function cooking in a microwave. Many of the functions can be input in a sequence and the control will follow these instructions in the proper order.

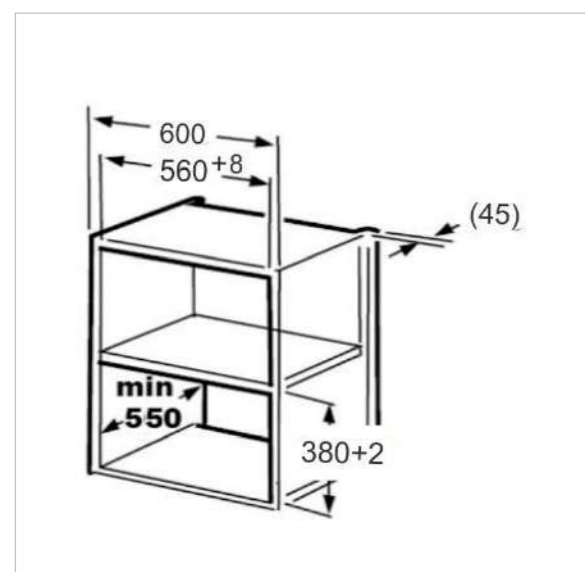


BUILT IN MICROWAVE MWO 01



TECHNICAL DETAILS

TYPE OF APPLIANCE:	Built in
FINISH:	Black Glass
DISPLAY:	Large LED Display
CAVITY:	Stainless Steel
FUNCTION:	Microwave, Grill, Convection & Defrost
DOOR:	Pull Handle
CONTROL PANNEL:	Digital Touch Control
DEFROST BY QUICKSTART:	Weight/Time
CHILD LOCK:	Yes
CAPACITY:	25L
ACCESSORIES:	Turn table Glass, Grill rack
FEATURES:	10 Auto Cooking Menu, Quick start, Multi stage cooking
DIMENSION:	594 X 470 X 388 mm

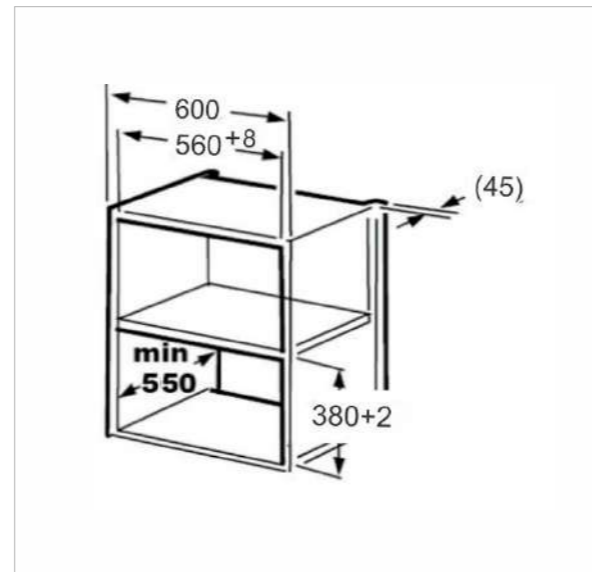


BUILT IN MICROWAVE MWO 02



TECHNICAL DETAILS

TYPE OF APPLIANCE:	Built in
FINISH:	Black Glass + Inox Top
DISPLAY:	Large LED Display
CAVITY:	Stainless Steel
FUNCTION:	Microwave, Grill, Convection & Defrost
DOOR:	Push Button
CONTROL PANNEL:	Rotary Knob Control
DEFROST BY QUICKSTART:	Weight/Time
CHILD LOCK:	Yes
CAPACITY:	25L
ACCESSORIES:	Turn table Glass, Grill rack
FEATURES:	10 Auto Cooking Menu, Quick start, Multi stage cooking
DIMENSION:	594 X 470 X 388 mm

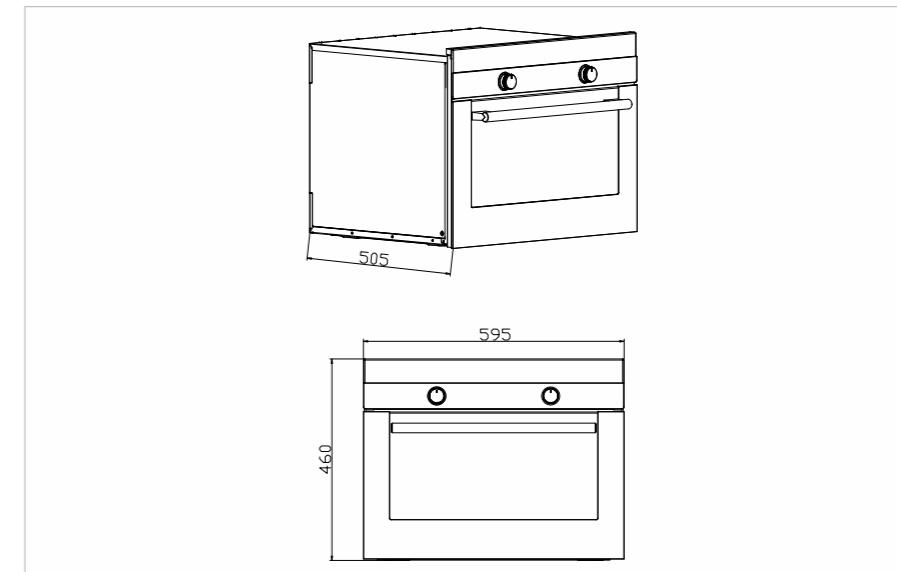


BUILT IN MICROWAVE MWO 03 WITH TFT TOUCH



TECHNICAL DETAILS

TYPE OF APPLIANCE:	Built in
FINISH:	Black Glass with S.S. Strip and Black Body
DISPLAY:	TFT Control Display
CAVITY:	Stainless Steel
FUNCTION:	Microwave, Grill, Convection & Defrost
CONTROL PANNEL:	Touch Screen
DEFROST BY QUICKSTART:	Weight/Time
CHILD LOCK:	Yes
CAPACITY:	32 ltr
FEATURES:	Smart inverter technology, smart recipes
ACCESSORIES:	1 x combination grid 1 x enamel baking tray rotisserie
DIMENSION	595 x 455 x 505 mm



CARYSIL

Lifestyle Sinks & Built-in Appliances

INTRODUCING
**BUILT-IN
MICROWAVE OVEN**





TASTE THE BEST

BUILT - IN COMBI OVEN

- Steam Cooking
- 3D convection
- Fast Preheating (7 min to 230°C)
- Combi Cooking
- 80 Auto Cooking Menu
- Steam + Convection + Grill + Microwave



STEAM

Using the steam function it is possible to cook a variety of foods, from vegetables to high protein food.



POWERFUL CONVECTION & GRILL

This feature enables hot air to be evenly distributed so the food is cooked to perfection.



CONVECTION

This function activates top and bottom heating elements with the fan that distributes the air evenly inside the oven cavity and controls the moisture. This function is ideal for baked items that cook in less than one hour such as biscuits, cookies, thin crust breads etc.

STEAMING + CONVECTION

A convection steam oven uses both steam and dry heat providing the same health benefits as a steam oven but with a little extra heat. Cakes are baked to perfection, without compromising on the even browning.



FAST PREHEATING

Reheating of your food, soup, lentil and rice happens in a few minutes.

COMBINATION FUNCTION

This function is perfect for cooking fried food to crisp perfection. The fan circulates the heat all over to maintain the right temperature for cooking the food item.



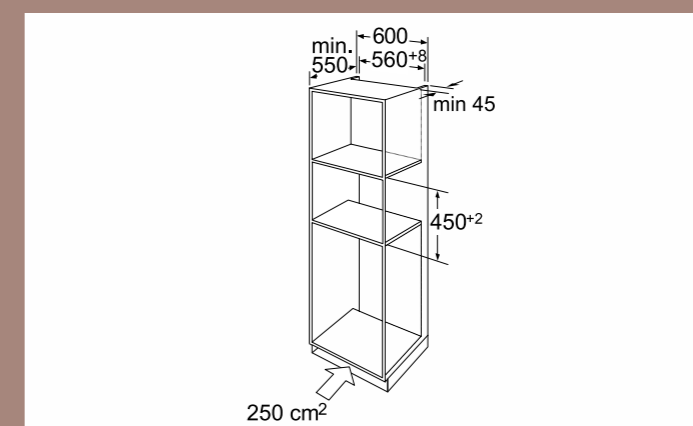


BUILT IN COMBI OVEN MWO 04



TECHNICAL DETAILS

TYPE OF APPLIANCE:	Built in
FINISH:	Black Glass
DISPLAY:	Large LED Display
CAVITY:	Stainless Steel
FUNCTION:	Microwave, steam, Grill, Convection & Defrost
DOOR:	Pull Down Handle
CONTROL PANNEL:	Digital Touch Control
DEFROST BY QUICKSTART:	Weight/Time
CHILD LOCK:	Yes
CAPACITY:	34L
WATER TANK CAPACITY:	1 ltr
ACCESSORIES:	Glass pan, Grill rack
FEATURES:	80 Auto Cooking Menu, 5 combination cooking, Fast Preheating (7 min to 230°C), 3D Convection and Steam
DIMENSION:	595 x 525 x 454 mm



CARYSIL

Lifestyle Sinks & Built-in Appliances

INTRODUCING CHIMNEYS



CARYSIL

Lifestyle Sinks & Built-in Appliances



INTRODUCING
SLIM TOUCH
CHIMNEY



SLICK PICK

SLIM TOUCH CHIMNEYS

- I-Drive Control/Touch Control
- Heat Automatic Sensor
- Energy Saving
- Remote Control
- Unique LED Light
- Sliding Chimneys
- Touch Control



LIGHT INTENSITY ADJUSTMENT

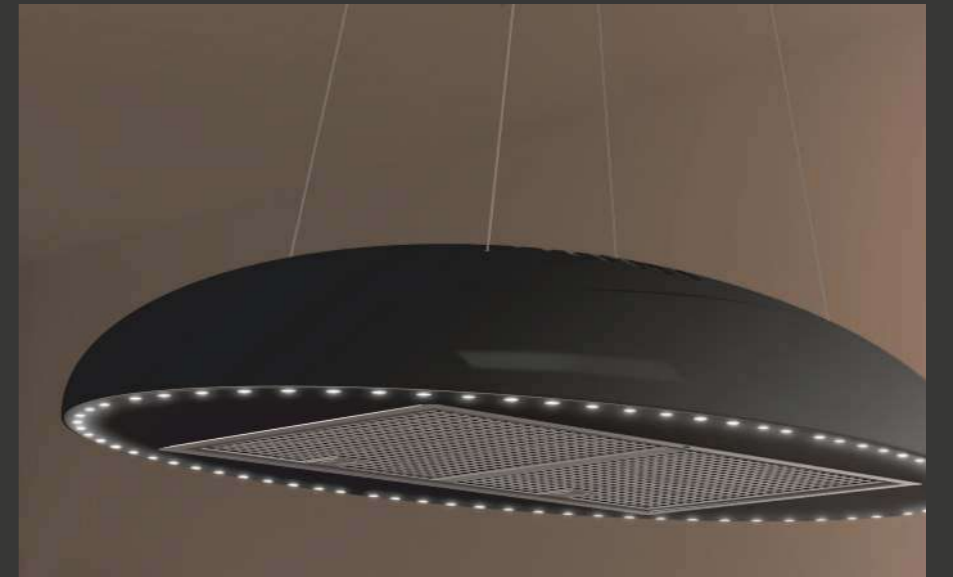
The unique LED lighting developed by Airforce combines high performances of lighting with the low power consumption : less than 90% compared to a traditional lamp and with a lifetime of over 20,000 hours.

HEAT SENSOR FOR AUTOMATIC FUNCTIONING

With the sensor function activated, the extraction speed will set itself automatically depending on the heat coming from the stove and will adjust the exhaustion at optimal levels to avoid waste of energy.

SLIDING CHIMNEYS

The possibility to adjust the height of the chimneys makes our hoods easy to install and perfectly integrated with ceilings of any height.



ENERGY SAVING

Owing to technologies that Developer has developed especially for our engines and lighting systems, these hoods deliver high performances and very low energy consumption.



TOUCH CONTROL

The Touch Control panel allows access to all functions of the hood just by touching the icons, making the operation, service and cleaning of the appliance easier.



REMOTE CONTROL

Remote control is designed to be efficient and convenient to use.



WASHABLE STAINLESS STEEL GREASE FILTERS

The stainless steel grease filter gives an aesthetic appeal to the hood. Having a long-lasting high filtering capacity, it can be washed thoroughly in the dishwasher thus maintaining its performance constantly.



ODOUR CONTROL

In the recirculation version these models are equipped with special active charcoal filters to absorb odours.



I-DRIVE

I-Drive is an innovative control developed which combines the touch screen with an intuitive rotation control; simply select the desired function and turn the knob to adjust the intensity of the different functions of the hood as preferred.

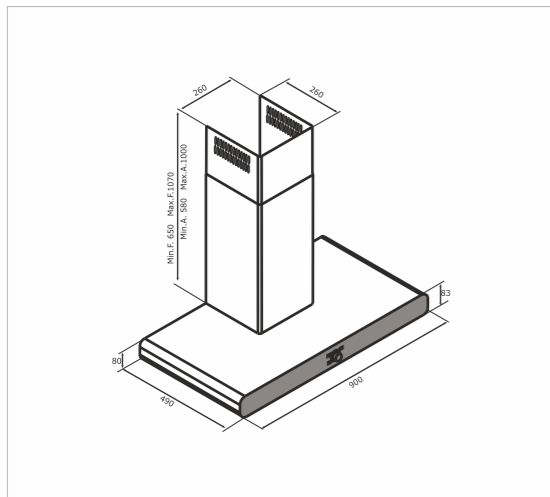
SLIM TOUCH

MADE IN ITALY



TECHNICAL DETAILS

SIZE:	90 cm
FINISH:	Designer Wall mounted Stainless steel with black glass
LAMP TYPE:	2x3.5w LED Lamp
AIR FLOW:	1000 m ³ /hr (EBM Motor)
SWITCH:	I-Drive Control/Touch Control - 6 speeds (4+2 intensive)
FILTER TYPE:	Professional Filter
FEATURES:	Grease and charcoal filter control, heat sensor for automatic functioning, timer, light intensity adjustment
DIMENSION:	900 X 490 X 580-1000 mm



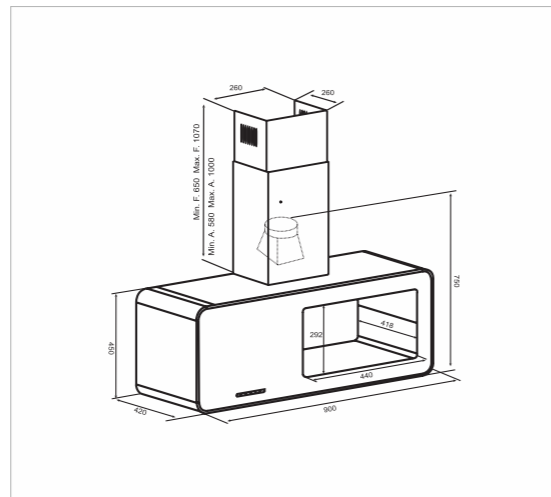
SLICE WHITE

MADE IN ITALY



TECHNICAL DETAILS

SIZE:	90 cm
FINISH:	Stainless Steel & Black
LAMP TYPE:	3x3.5w LED Lamp
AIRFLOW:	800 m ³ /hr (Perimeter Aspiration)
FILTER TYPE:	Washable grease
SWITCH:	4 speeds (3+1 intensive)
FEATURES:	5/10/20 min. timer, Heat sensor for automatic Functioning, Charcoal and grease filter control
DIMENSION:	900 X 420 X 580-1000 mm



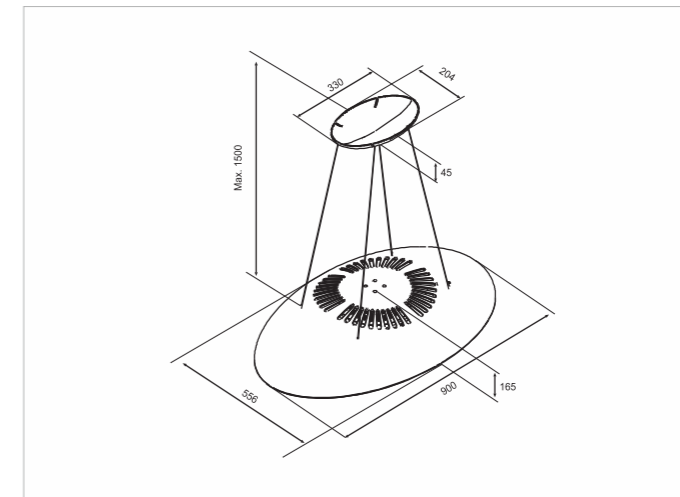
ECLIPSE

MADE IN ITALY



TECHNICAL DETAILS

SIZE:	90 cm
FINISH:	Black with black glass or White with white glass
LAMP TYPE:	12w (Perimetral Strip lighting 72 LEDs)
AIRFLOW:	1000 m ³ /hr
FILTER TYPE:	Professional Filter
SWITCH:	4 speeds (3+1 intensive)
FEATURES:	Heat sensor for automatic Functioning, Soft lighting Timer, Automatic sensor
DIMENSION:	900 X 560 X 1000 mm



CARYSIL

Lifestyle Sinks & Built-in Appliances



INTRODUCING
ALICE 90 BLACK
CHIMNEY

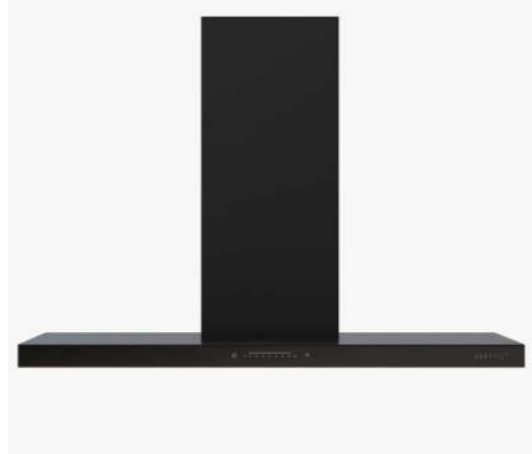


BLACK IS BACK

ALICE ISLAND CHIMNEY

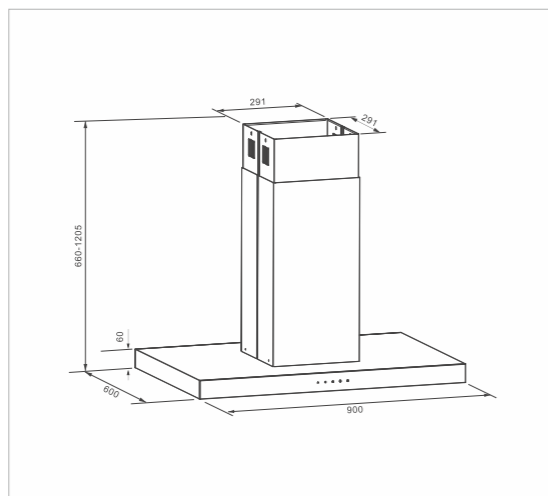
- Dual Side Operated
- Black Body With Black Touch Glass
- Touch Screen
- Powerful Motor
- 4x1.5w LED Lamp
- Baffle Filter

ALICE 90 BLACK



TECHNICAL DETAILS

TYPE OF APPLIANCE:	Island chimney
FINISH:	Black Body
CAPACITY:	1350m ³ /h
SPEED:	3
LAMP TYPE:	4 X 1.5 w LED Lamp
FILTER TYPE:	Baffle filters
HOUSING TYPE:	Metal
CONTROL:	Touch
OPERATING MODE:	Both side operated control panel
COMFORT:	Oil collector 02 Duct Cover

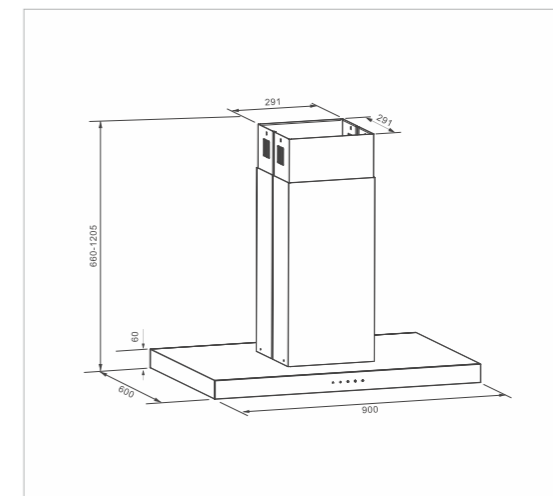


ALICE 90 SS



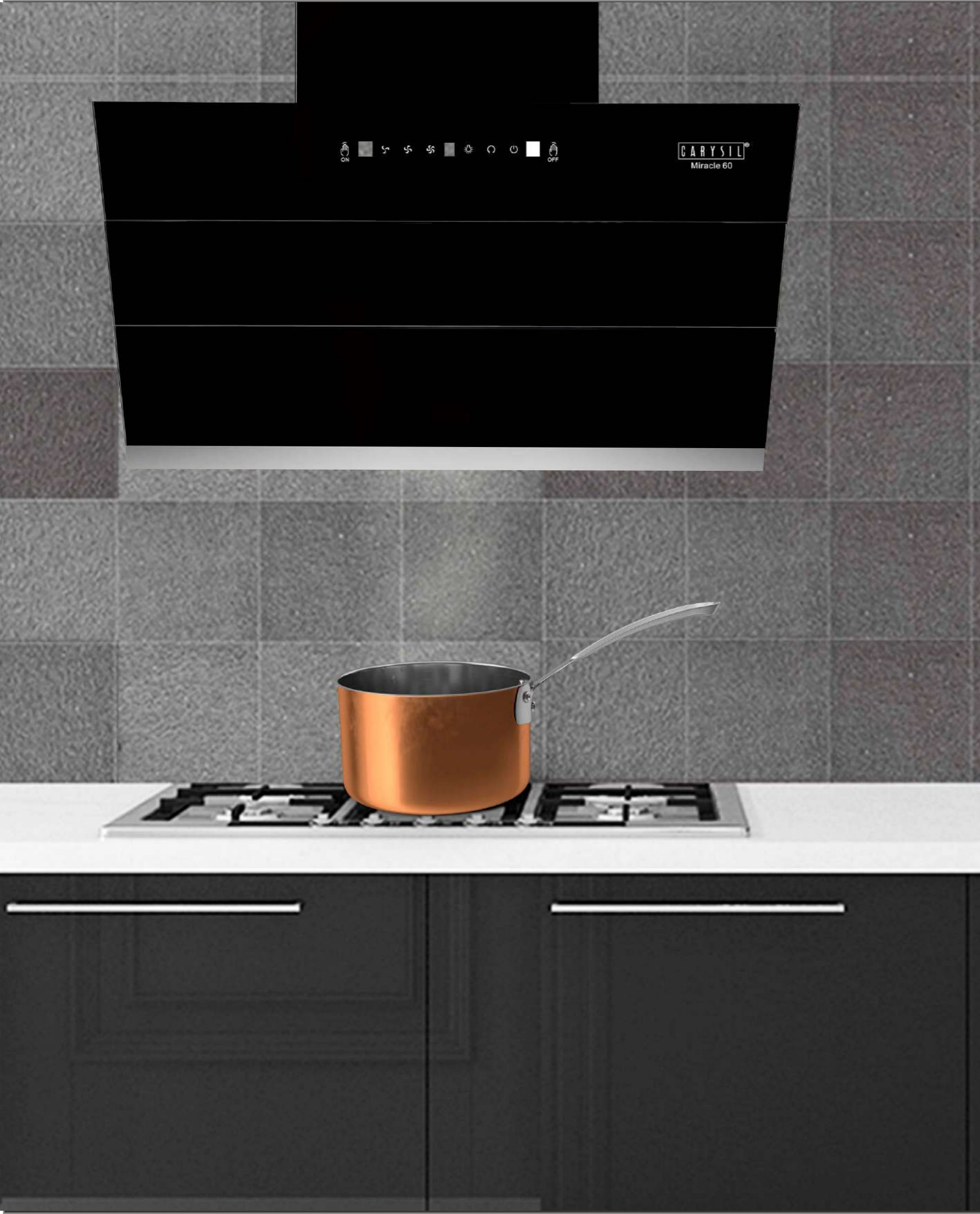
TECHNICAL DETAILS

TYPE OF APPLIANCE:	Island chimney
FINISH:	S.S.body
CAPACITY:	1350m ³ /h
SPEED:	3
LAMP TYPE:	4 X 1.5 W LED Lamp
FILTER TYPE:	Baffle filters
HOUSING TYPE:	Metal
CONTROL:	Touch
OPERATING MODE:	Both side operated control panel
COMFORT:	Oil collector 02 Duct Cover



INTRODUCING
FILTER LESS MIRACLE
CHIMNEY





THE MAGIC TOUCH

MIRACLE CHIMNEYS

- Stainless Steel oil Collector
- Motion Sensor
- Filter Less
- Black Body & Black Glass
- Metal Housing with Metal Blower
- Heat Auto Clean



WALL MOUNTED
SAND

FILTER-LESS
CHIMNEY

HIGHEST SUCTION
CAPACITY

MOTION
SENSOR

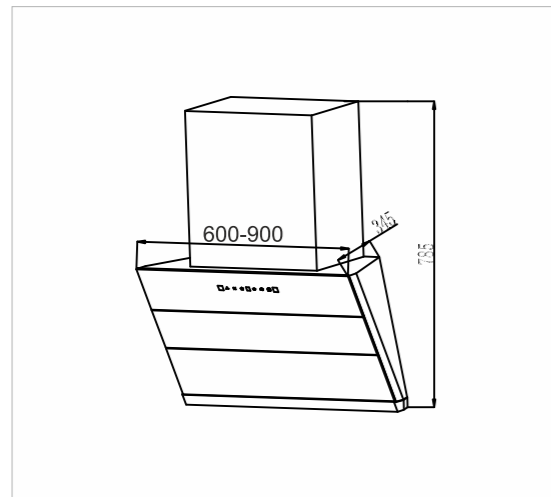


MIRACLE 60/90



TECHNICAL DETAILS

TYPE OF APPLIANCE:	Wall mounted chimney
FINISH:	Black body + Black tempered glass
AIR FLOW:	1350m ³ /h
SPEED:	3 speed touch screen
LAMP TYPE:	LED - 2x1.5 w
FILTER TYPE:	Filter less
AIR OUTLET:	150 mm with 1.5m aluminum foil pipe
FEATURES:	Heat Auto Clean, Motion sensor, SS oil collector

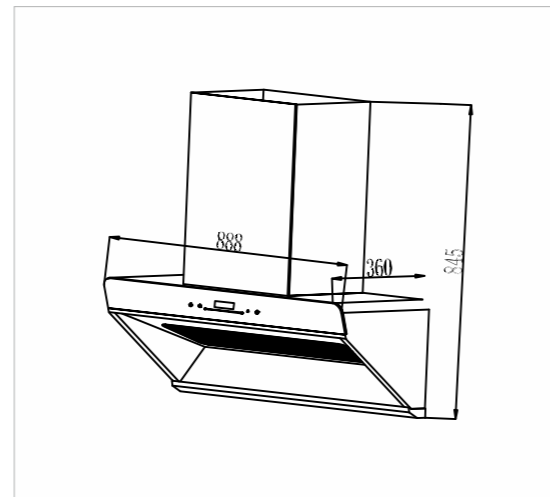


SAND 90

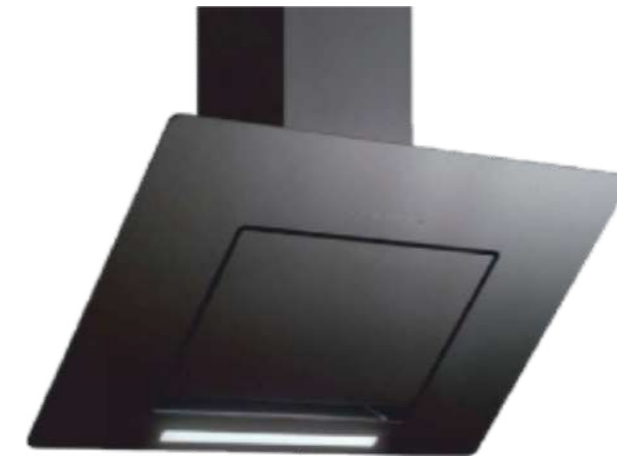


TECHNICAL DETAILS

TYPE OF APPLIANCE:	Wall mounted chimney
FINISH:	Black body + Silver corner
CAPACITY:	Upto 1700m ³ /h
SPEED:	8
LAMP TYPE:	LED - 2x1.5 W
FILTER TYPE:	Filter less
AIR OUTLET:	150 mm with 1.5m aluminum foil pipe
CONTROL:	Slider touch screen
FEATURES:	SS oil collector

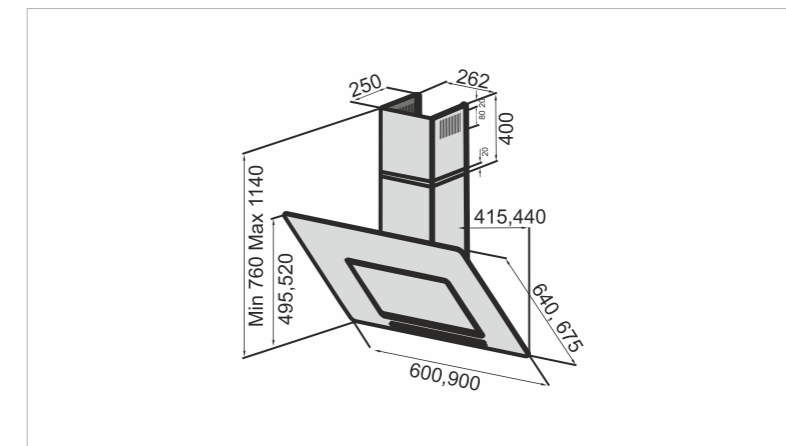


LATINO 60/90



TECHNICAL DETAILS

TYPE OF APPLIANCE:	Wall mounted chimney
FINISH:	Black body + Black tempered glass
AIR FLOW:	1200m ³ /h
SPEED:	5 speed EBM made in Germany
LAMP TYPE:	Fluorescent 16 W
FILTER TYPE:	Aluminium cassette – dishwasher safe
AIR OUTLET:	150 mm with 120-150 mm converter
CONTROL:	Touch screen
NOISE:	34 dB
DOOR OPENING:	Hydraulic (Manual)
DUCT COVER:	02 nos



CARYSIL

Lifestyle Sinks & Built-in Appliances

INTRODUCING
ROCKSTAR
CHIMNEY





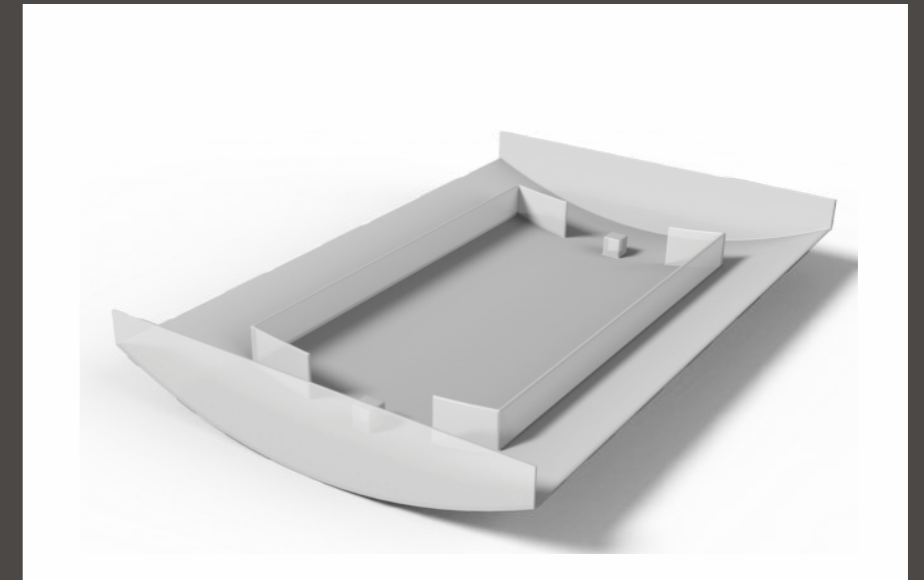
DESIGN TECH!

ROCKSTAR CHIMNEY

- Available Different PVD Coating Finishes
- PDCA Motor
- 4 Way Suction
- Dual Blower
- Powerful Motor
- Oil Collector
- Slider Touch Control



PVD COATING FINISHES



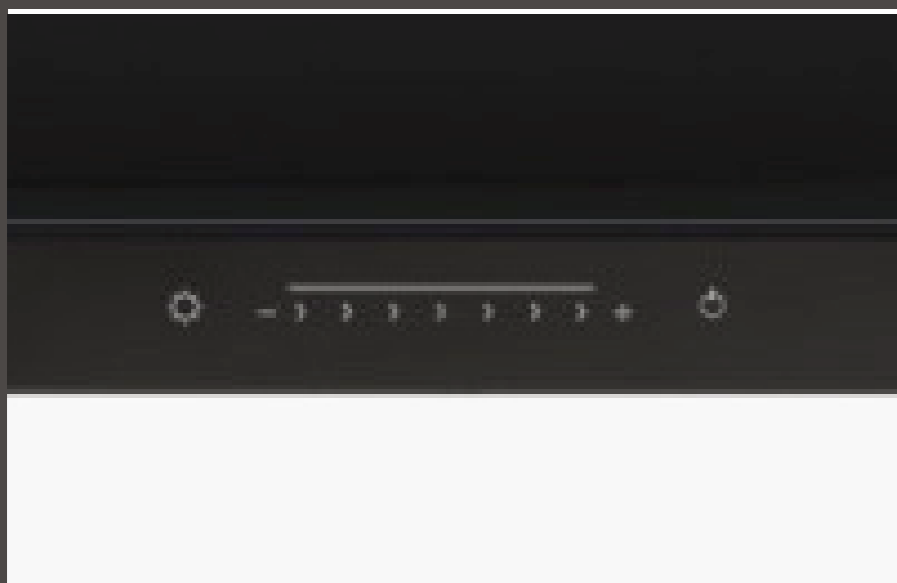
OIL COLLECTOR



PDCA MOTOR



4 WAY SUCTION
WITH OIL
COLLECTOR

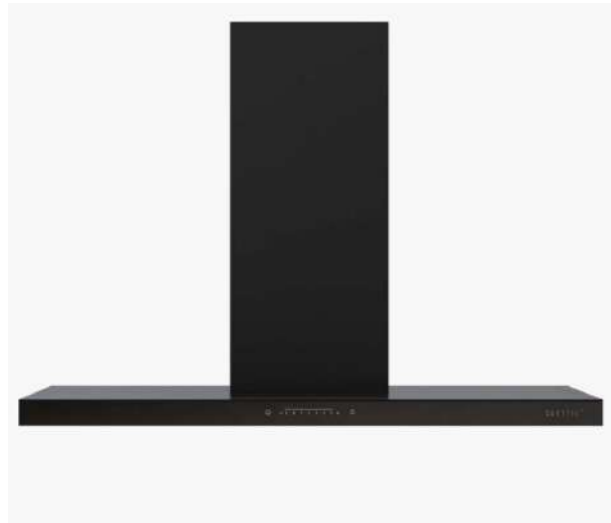


SLIDER TOUCH
SCREEN



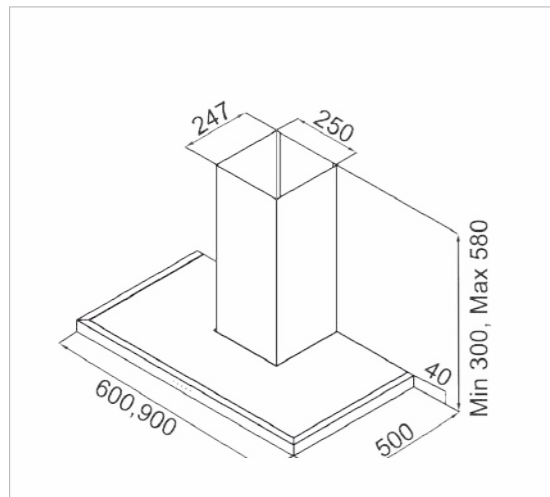
BAFFLE FILTER

ROCKSTAR 60/90



TECHNICAL DETAILS

AIR FLOW:	1080 m ³ /hr Air Flow
LAMP TYPE:	2 x 1.5 W Led Lamps
FILTER TYPE:	Baffle Filter
MATERIAL:	Black / SS satin / SS Gloss / Rose Gold / Yellow gold & Gun metal PVD
MOTOR:	PDCA motor
OIL COLLECTOR:	4 Way suction with oil collector
COMFORT:	Slider touch with multi speed LED lamp

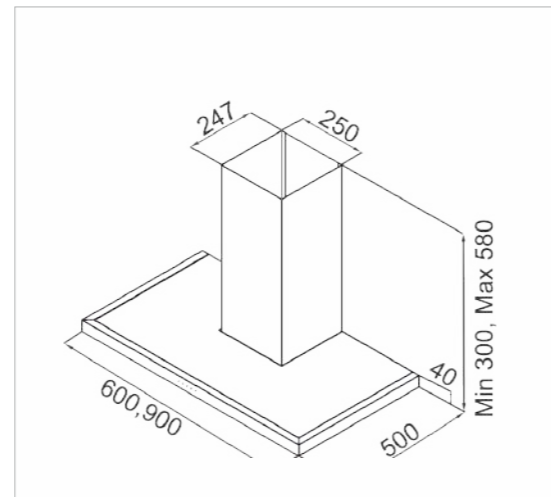


TROYA 60/90



TECHNICAL DETAILS

AIR FLOW:	1150 m ³ /hr Air Flow
LAMP TYPE:	2 x 1.5 W Led Lamps
FILTER TYPE:	Baffle Filter
MATERIAL:	Black Finish
SPEED:	3
CONTROL:	Soft Touch control panel
AIR OUTLET:	150 mm outlet with 1.5 m plastic pipe
OPERATING MODE:	NRV system

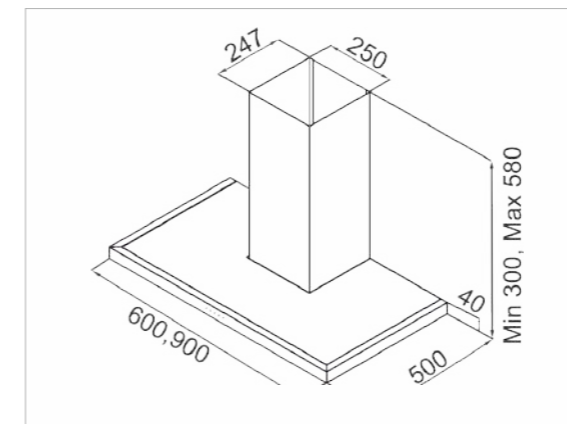


BLADE 60/90



TECHNICAL DETAILS

TYPE OF APPLIANCE:	Wall mounted chimney
FINISH:	Inox + top glass
AIR FLOW:	1100m ³ /h
SPEED:	5
LAMP TYPE:	LED 2 x 2 w
FILTER TYPE:	Baffle
AIR OUTLET:	150 mm outlet with 150 mm to 120 mm converter
CONTROL:	Soft Touch control panel
OPERATING MODE:	External / Recirculation
COMFORT:	NRV system Cleaning indicator
DUCT COVER:	02 Nos

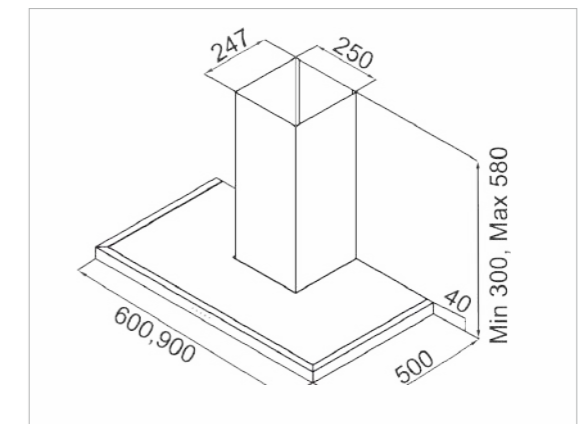


MOONWALK 60/90



TECHNICAL DETAILS

TYPE OF APPLIANCE:	Wall mounted chimney
FINISH:	Inox / Optional Black body
AIR FLOW:	1200m ³ /h
SPEED:	3
LAMP TYPE:	LED – 2 x 2 W
FILTER TYPE:	Baffle
AIR OUTLET:	150 mm
CONTROL:	Push button
MOTOR HOUSING:	Normal
OPERATING MODE:	External / Recirculation
COMFORT:	NRV system

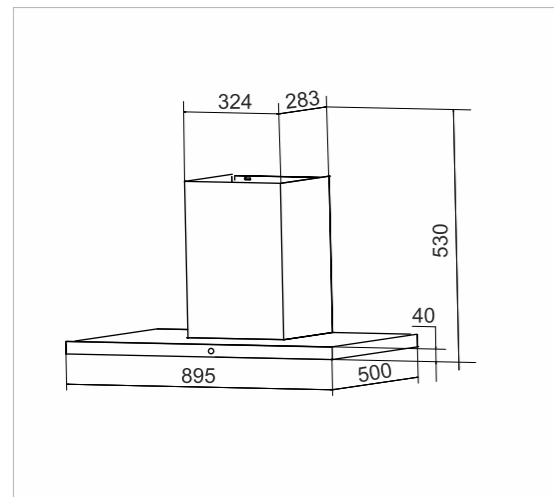


AUTO TT 60/90



TECHNICAL DETAILS

TYPE OF APPLIANCE:	Wall mounted chimney
FINISH:	Black body + Black tempered glass
AIR FLOW:	1200m ³ /h
SPEED:	3
LAMP TYPE:	LED – 2 x 1.5 W
FILTER TYPE:	Baffle / optional Charcoal
AIR OUTLET:	150 mm outlet with 2 m pipe
CONTROL:	Invisible Touch screen
OPERATING MODE:	External / Recirculation
COMFORT:	NRV system Oil Collector Heat clean

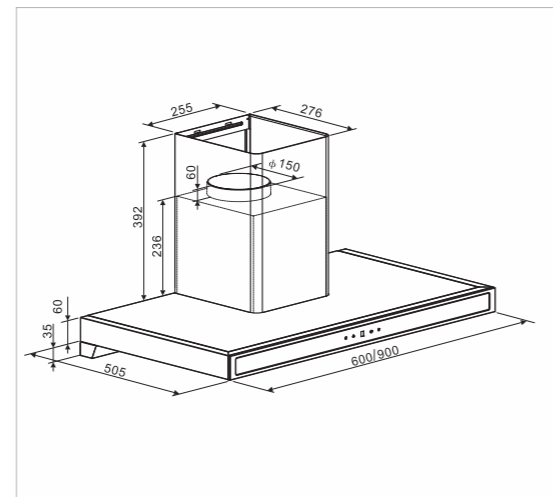


MINT 60/90



TECHNICAL DETAILS

TYPE OF APPLIANCE:	Wall mounted chimney
FINISH:	Black body + Black tempered glass
AIR FLOW:	1350m ³ /h
SPEED:	3
LAMP TYPE:	LED – 2 x 2 W
FILTER TYPE:	Baffle / optional Charcoal
AIR OUTLET:	150 mm outlet with 2 m pipe
CONTROL:	Motion Touch Control
OPERATING MODE:	External / Recirculation
COMFORT:	Oil Collector Heat clean

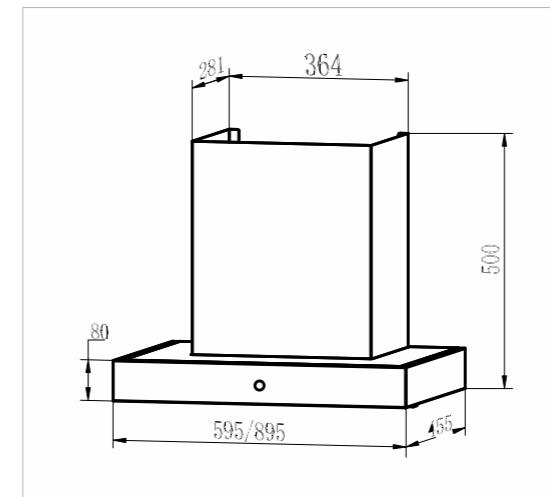


OPALE 60/90



TECHNICAL DETAILS

TYPE OF APPLIANCE:	Wall mounted chimney
FINISH:	SS body + Black tempered glass
AIR FLOW:	1450m ³ /h
SPEED:	3
LAMP TYPE:	LED – 2 x 2 W
FILTER TYPE:	Filter less Chimney
AIR OUTLET:	150 mm outlet with 2 m pipe
CONTROL:	Motion Touch Control
OPERATING MODE:	External / Recirculation
COMFORT:	Oil Collector Heat clean

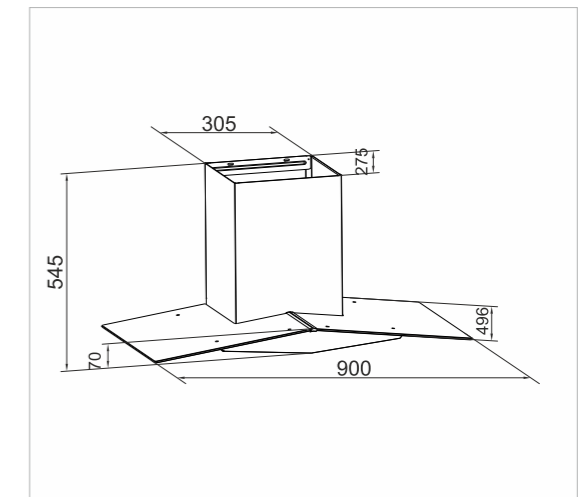


CRYSTAL 60/90



TECHNICAL DETAILS

TYPE OF APPLIANCE:	Wall mounted chimney
FINISH:	Black body + Black tempered glass
CAPACITY:	1200 m ³ /hr
SPEED:	3
LAMP TYPE:	LED – 2x1.5 W
FILTER TYPE:	2 Baffle filter
AIR OUTLET:	150 mm with 1.5 m duct pipe
CONTROL:	Soft touch button
OPERATING MODE:	External / Recirculation
COMFORT:	Heat auto clean Function and Oil Collector Heat clean

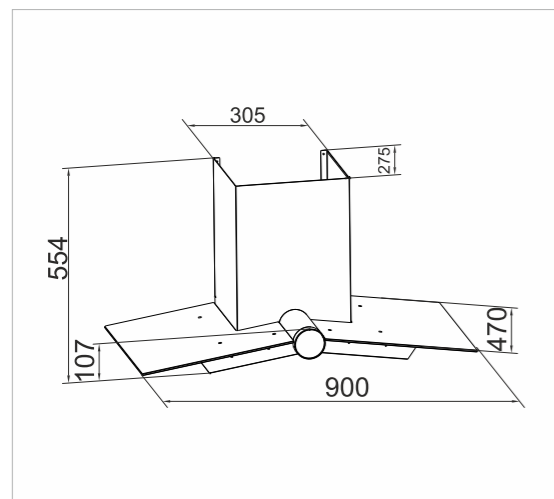


WINGS 60/90



TECHNICAL DETAILS

TYPE OF APPLIANCE:	Wall mounted chimney
FINISH:	Black body + Black tempered glass
AIR FLOW:	1200m ³ /h
SPEED:	3
LAMP TYPE:	LED – 2 x 1.5 W
FILTER TYPE:	Baffle Filter
CONTROL:	Touch Control
AIR OUTLET:	150 mm outlet with 1.5 m flexible plastic pipe
COMFORT:	Metal Housing Oil Collector Heat clean

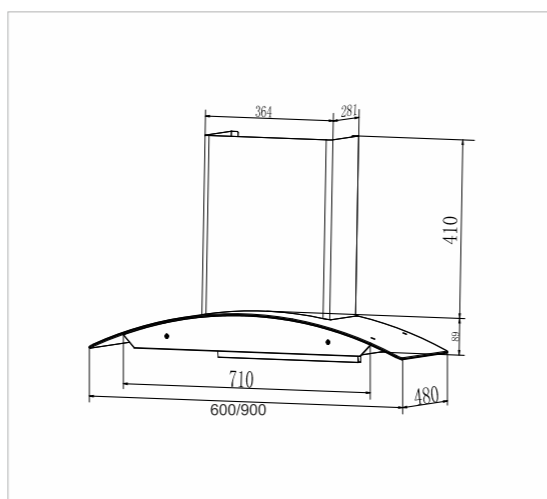


VAN MS 60/90



TECHNICAL DETAILS

TYPE OF APPLIANCE:	Wall mounted chimney
FINISH:	Black body and Black tempered glass
AIR FLOW:	1350 m ³ /hr
SPEED:	3
LAMP TYPE:	LED – 2x1.5 W
FILTER TYPE:	Baffle filter
AIR OUTLET:	150 mm outlet with 2 m pipe
CONTROL:	Motion sensor and Touch screen
MOTOR HOUSING:	Metal – with metal blower
OPERATING MODE:	External/recirculation
COMFORT:	NRV system Heat Clean Oil Collector

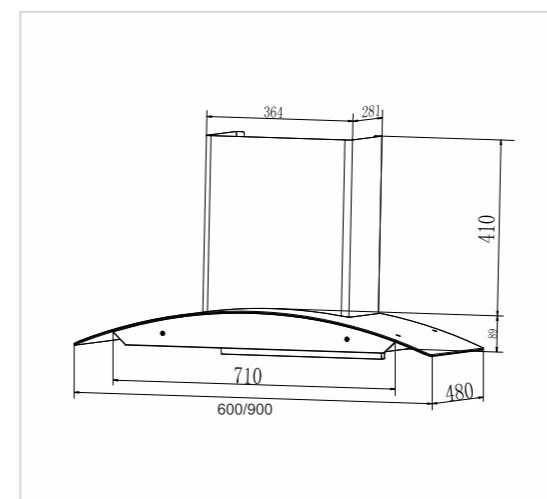


SAM 60/90



TECHNICAL DETAILS

TYPE OF APPLIANCE:	Wall mounted chimney
FINISH:	Inox body + Black tempered glass
AIR FLOW:	1200 m ³ /hr
SPEED:	3
LAMP TYPE:	LED – 2x1.5 W
FILTER TYPE:	Baffle filter
AIR OUTLET:	150 mm outlet with 2 m pipe
CONTROL:	Touch screen
MOTOR HOUSING:	Metal Housing
OPERATING MODE:	External/recirculation
COMFORT:	SS Oil Collector Heat auto clean NRV system

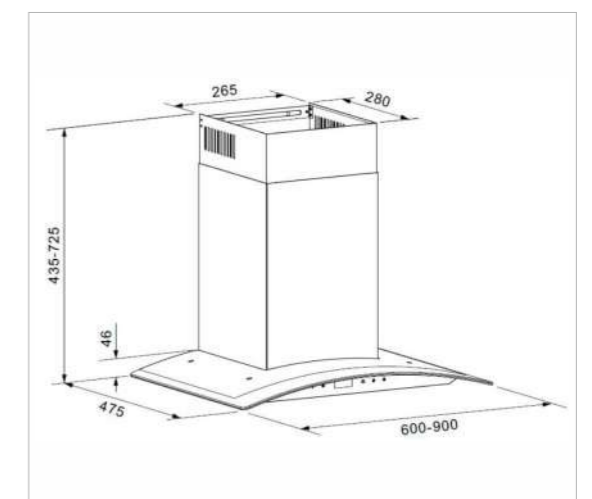


TEKNO 60/90



TECHNICAL DETAILS

TYPE OF APPLIANCE:	Wall mounted chimney
FINISH:	Black body + top curved glass
CAPACITY:	1150 m ³ /hr
SPEED:	3
LAMP TYPE:	LED – 2x1.5 W
FILTER TYPE:	Baffle filter
AIR OUTLET:	150 mm outlet with 1.5 m duct pipe
CONTROL:	Touch screen
MOTOR HOUSING:	Metal
OPERATING MODE:	External/Recirculation
COMFORT:	NRV system Oil Collector

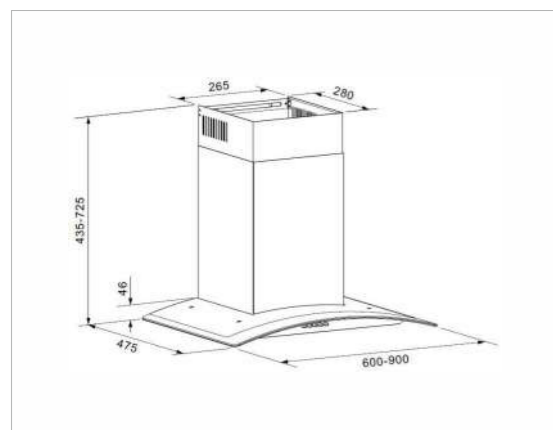


ROCK 60/90



TECHNICAL DETAILS

TYPE OF APPLIANCE:	Wall mounted chimney
FINISH:	Black body + Black tempered glass
AIR FLOW:	1150 m ³ /hr
SPEED:	3
LAMP TYPE:	LED – 2x1.5 W
FILTER TYPE:	Baffle filter-2 pcs
AIR OUTLET:	150 mm outlet with 1.5 m pipe
CONTROL:	Push button
MOTOR HOUSING:	Metal Housing
OPERATING MODE:	External
COMFORT:	NRV system Oil Collector

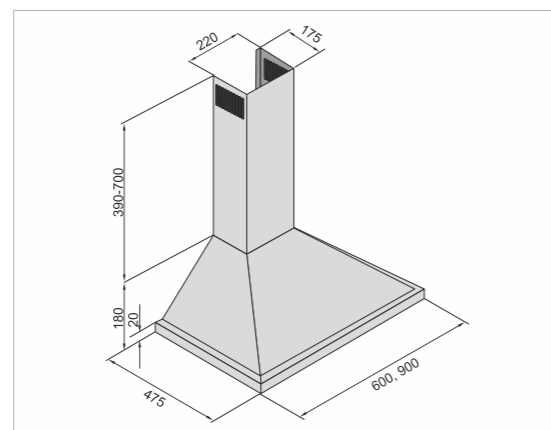


CALYPSO 60/90



TECHNICAL DETAILS

TYPE OF APPLIANCE:	Wall mounted chimney
FINISH:	Inox
CAPACITY:	1000 m ³ /hr
SPEED:	3
LAMP TYPE:	Normal – 2x40 W
FILTER TYPE:	Baffle filter
AIR OUTLET:	150 mm with 1.5 m extra pipe
CONTROL:	Push button
OPERATING MODE:	External / Recirculation
COMFORT:	NRV system

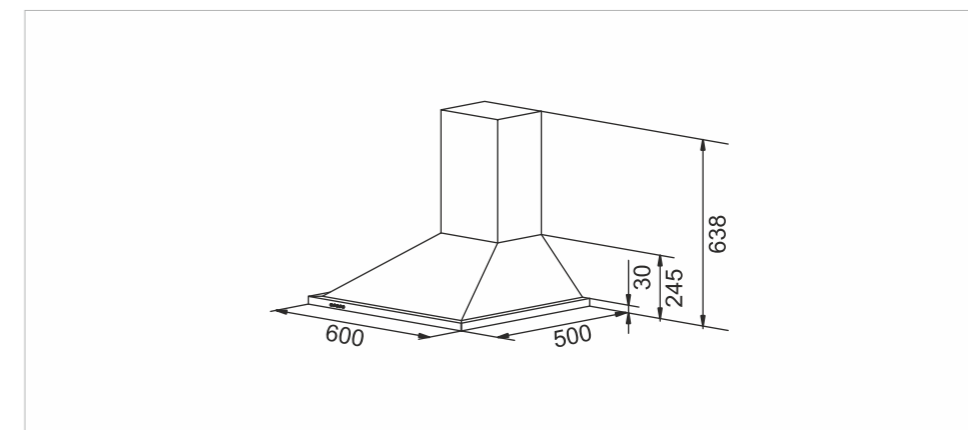


CALYPSO 800

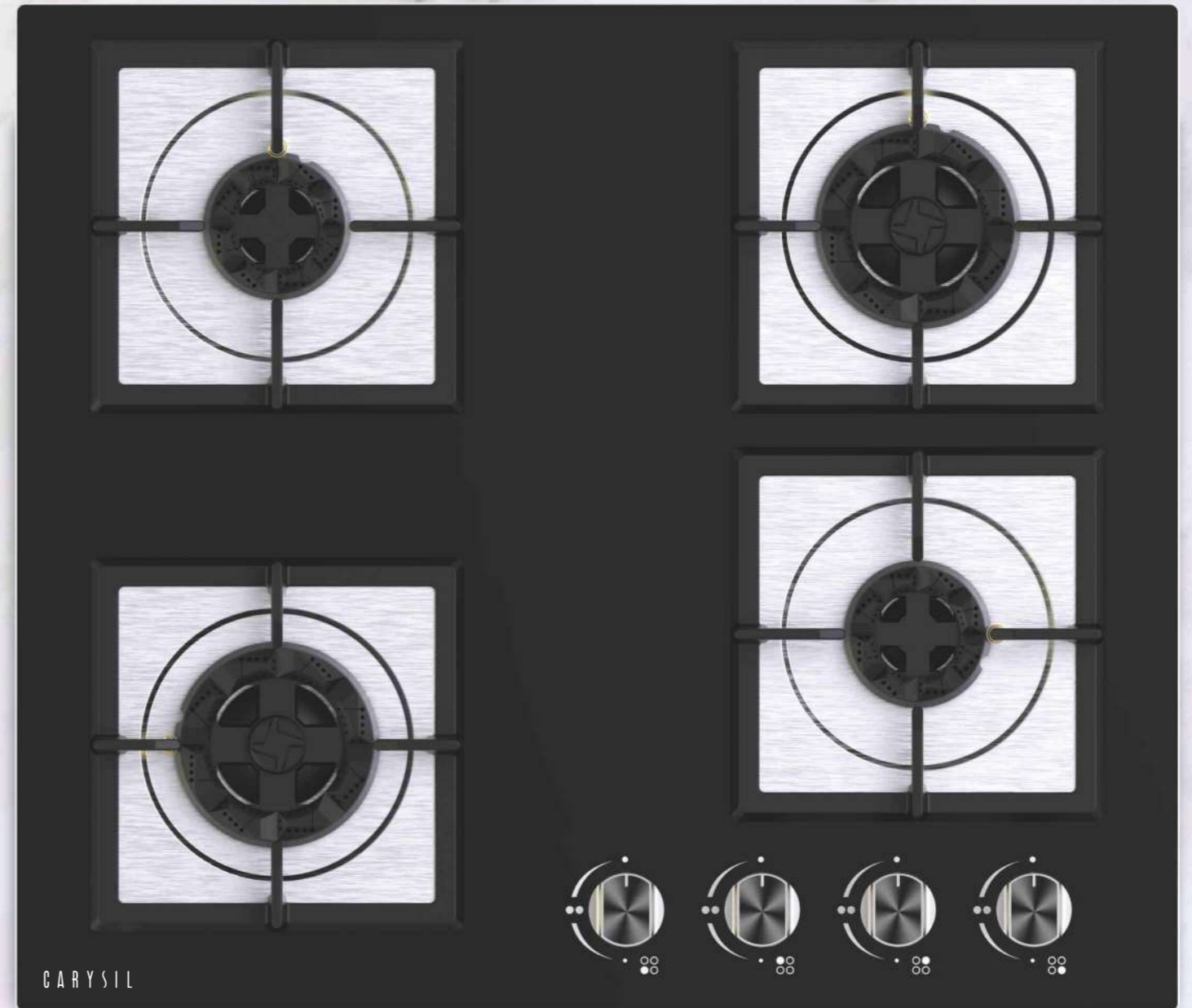


TECHNICAL DETAILS

TYPE OF APPLIANCE:	Wall mounted chimney
FINISH:	Inox
CAPACITY:	800 m ³ /hr
SPEED:	3
LAMP TYPE:	Normal – 2x40 W
FILTER TYPE:	Baffle filter
AIR OUTLET:	150 mm with 1.5 m extra pipe
CONTROL:	Push button
OPERATING MODE:	External / Recirculation
COMFORT:	NRV system



INTRODUCING
BUILT - IN HOBS





MULTI FLAME

This modern technology prevents wastage of fuel thus making the chore of cooking fast, easy and efficient.

BLUE FLAME BURNER

Blue burning burners are high energy savers and indicate that the proper amount of gas and oxygen is being released from the burner taking care of safety in the kitchen.



HIGH TEMPERATURE COATING

The Cucinarde Fire Spreader is made of 100% brass, with special coating, ready to deal with high temperature environment.

BATTERY OPERATED IGNITION

Say good-bye to lighters! The auto ignition feature automatically lights up the gas doing away with the hassle of using a lighter, thus, making it efficient and convenient.



ERGONOMIC KNOB

Our thoughtfully designed cooker knobs are made of stainless steel and bakelite. They are heat resistant and easy to use. These ergonomic controls feature auto-ignition.

PAN SUPPORT

Made from heavy duty cast iron, Matt Enamel Pan support



BLACK TEMPERED GLASS

8 mm thick tempered glass

HIGH FLAME BRASS BURNER

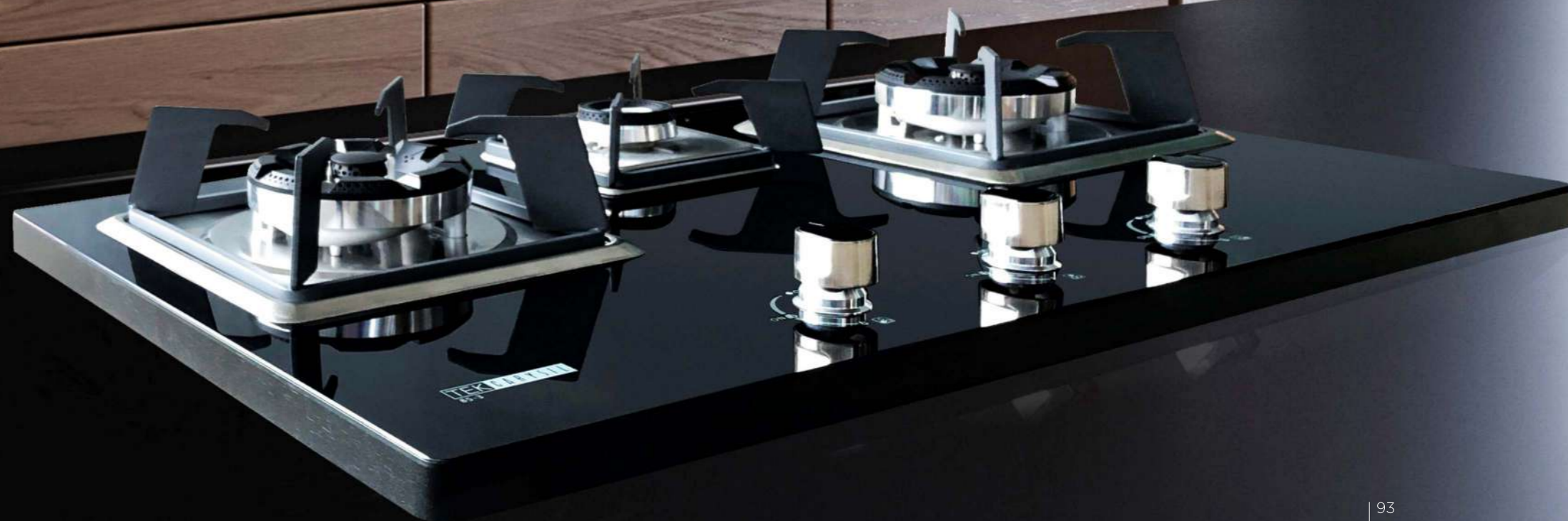
Designer Golden Edge Burner, Even Fire Distribution, High Temperature Resistance; Long Time Cooking



CARYSIL

Lifestyle Sinks & Built-in Appliances

INTRODUCING
TEK HOBS





TEK HOB SERIES

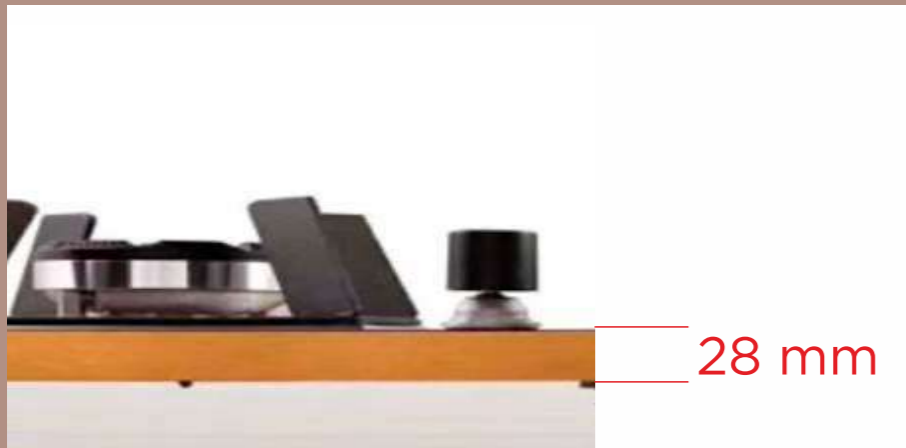
BUILT IN TEK 85-4 HOB

- Slim Hob
- Under Knob Auto Ignition
- Brass Burner
- Cast Iron Pan Support



EASY TO INSTALL

No need to cut Whole Platform
just need to cut 60 mm round hole



SLIM HOB

India's 1st Ever Slimest Hob



ERGONOMIC KNOB

Our thoughtfully designed cooker knobs are made of stainless steel and bakelite. They are heat resistant and easy to use. These ergonomic controls feature auto-ignition.



PAN SUPPORT

Made from heavy duty cast iron,
Matt Enamel Pan support

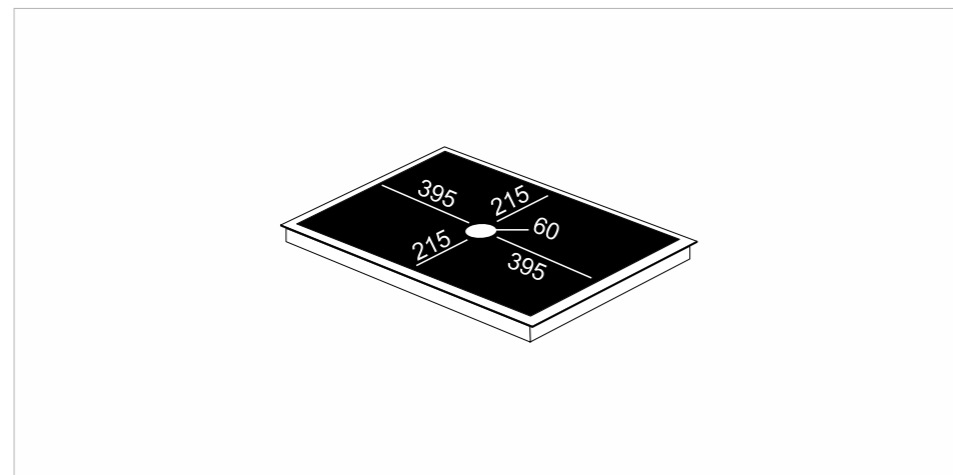


TEK 85-3



TECHNICAL DETAILS

TYPE:	High Flame Brass Burner
BURNER TYPE:	2x Multi Flame Big Burner, 1x Dual Flame Burner
PAN SUPPORT:	Suqare cast iron pan support
IGNITION TYPE:	Battery operated
DRIP TRAY:	Full-sealing Stainless Steel
SIZE:	850*500*28mm
KNOB:	Metal

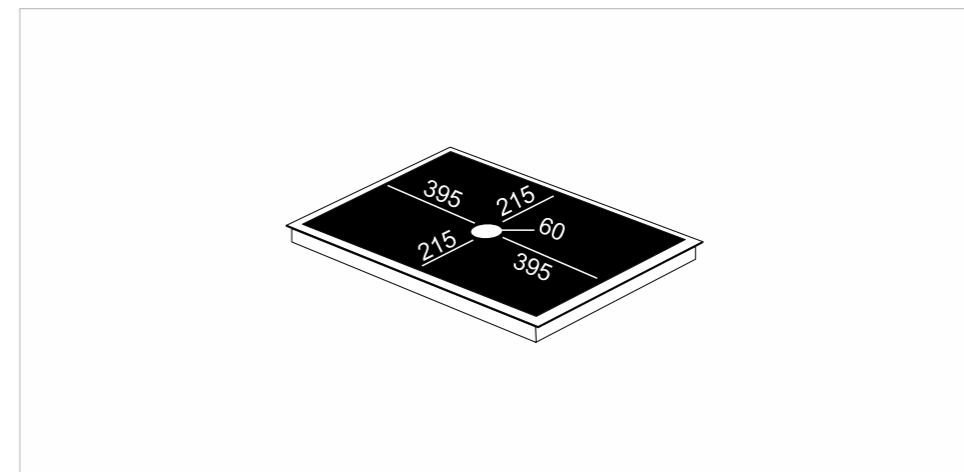


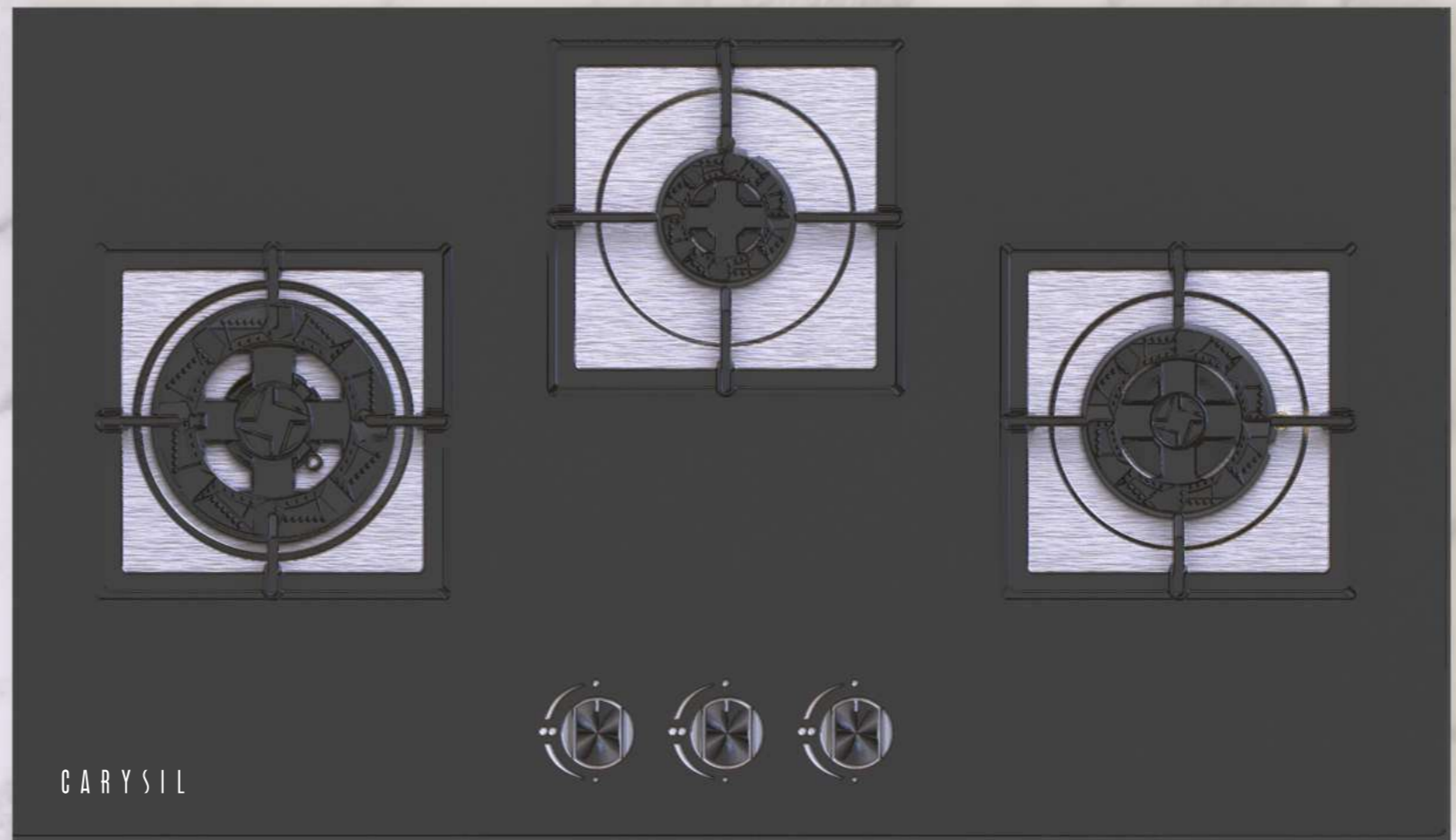
TEK 85-4



TECHNICAL DETAILS

TYPE:	High Flame Brass Burner
BURNER TYPE:	2x Multi Flame Big Burner, 2x Dual Flame Burner
PAN SUPPORT:	Suqare cast iron pan support
IGNITION TYPE:	Battery operated
DRIP TRAY:	Full-sealing Stainless Steel
SIZE:	850*500*28mm
KNOB:	Metal





INTRODUCING
BRAZZO
SERIES HOB



BRAZZO HOB SERIES

BRAZZO 78-3 HOB

- Designer Metal Knobs
- Heavy Duty Cast Iron Pan Support
- Tempered Glass (8mm)
- S.s. Drip Pan Tray (brush Finish)
- Zinc-Alloy Bi-Color laser Knob

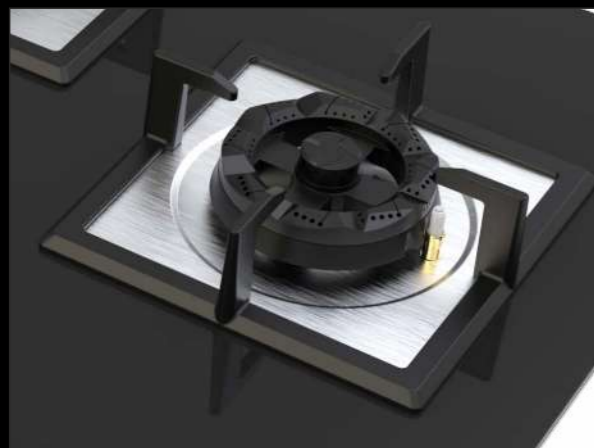


MULTI FLAME

This modern technology prevents wastage of fuel thus making the chore of cooking fast, easy and efficient.

BLACK TEMPERED GLASS

8 mm thick tempered glass

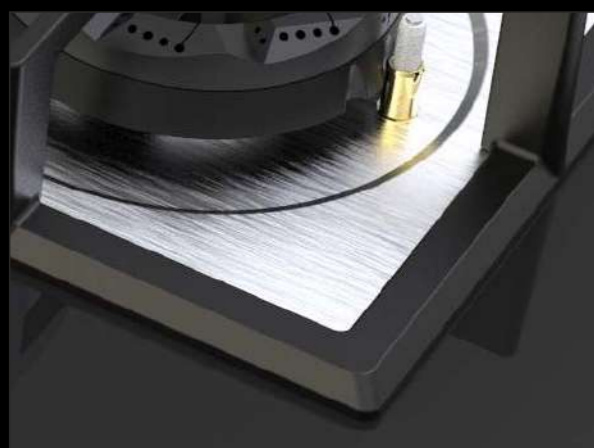


CAST IRON PAN SUPPORT

High Quality cast iron Pan support with Exclusively A class enamel finish, Make our hob outshines others.

ERGONOMIC KNOB

Our thoughtfully designed knobs are made of stainless steel and bakelite. They are heat resistant and easy to use. These ergonomic controls feature auto-ignition.



SS DRIP TREY

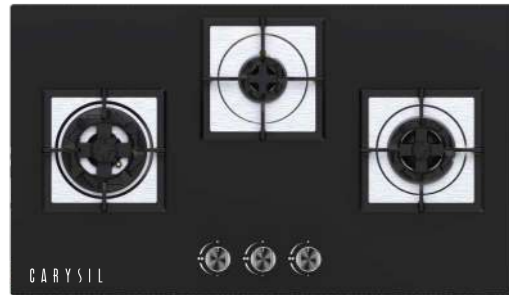
SS Drip Tray
Brush Finish

HIGH FLAME BRASS BURNER

Designer Golden Edge Burner, Even Flame Distribution, High Temperature Resistance; Long Time Cooking

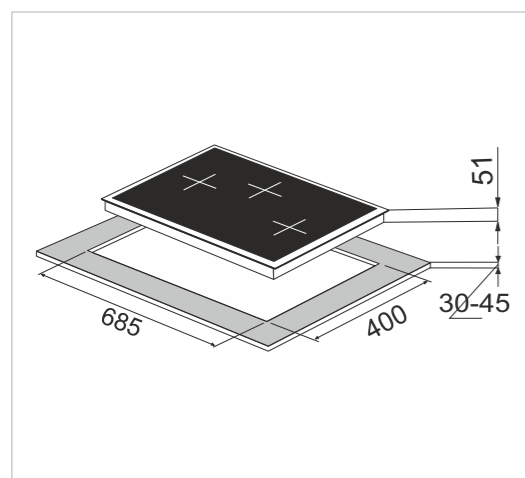


BRAZZO 78-3

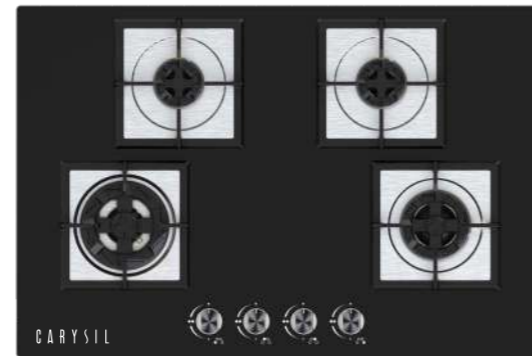


TECHNICAL DETAILS

TYPE OF APPLIANCE:	Built-in Brass Hob
FINISH:	Black Tempered Glass (8mm thickness)
BURNER TYPE:	Full Brass Burner
BURNER:	01 big multi flame burner 01 min Multi flame burner 01 Dual ring burner
IGNITION TYPE:	Battery operated
DRIP TRAYS:	Stainless steel brush finish
PAN SUPPORT:	Cast iron pan support
KNOB TYPE:	Metal
DIMENSION:	780 x 450 mm

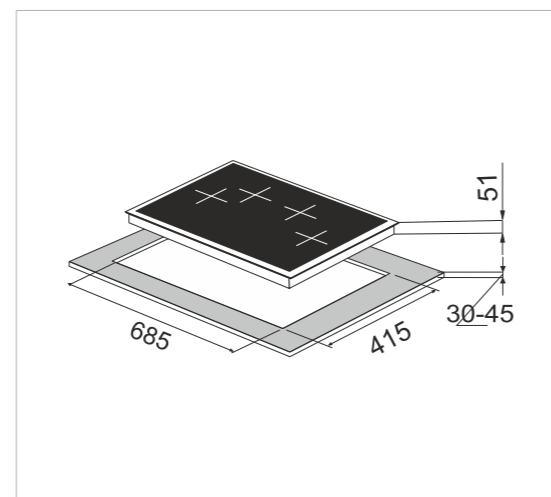


BRAZZO 78-4

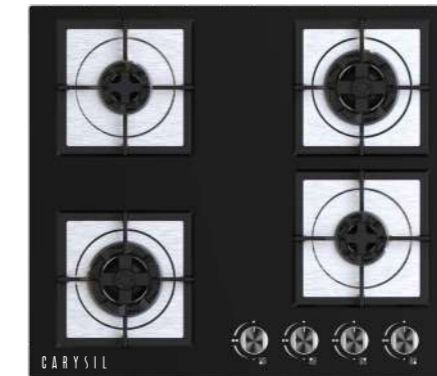


TECHNICAL DETAILS

TYPE OF APPLIANCE:	Built-in Brass Hob
FINISH:	Black Tempered Glass (8mm thickness)
BURNER TYPE:	Full Brass Burner
BURNER:	01 big multi flame burner 01 mini multi flame burner 02 mini high flame burner
IGNITION TYPE:	Battery operated
DRIP TRAYS:	Stainless steel brush finish
PAN SUPPORT:	Cast iron pan support
KNOB TYPE:	Metal
DIMENSION:	780 x 520 mm

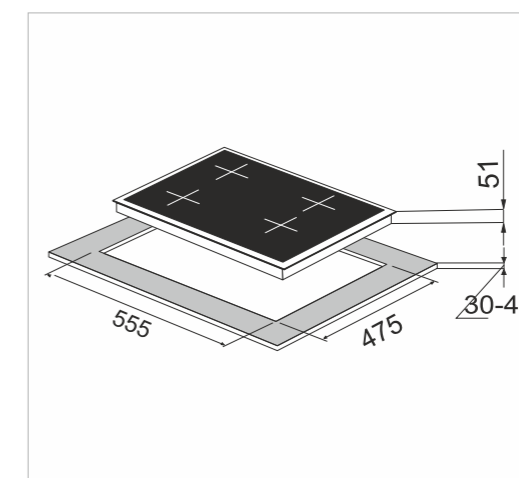


BRAZZO 60-4



TECHNICAL DETAILS

TYPE OF APPLIANCE:	Built-in Brass Hob
FINISH:	Black Tempered Glass (8mm thickness)
BURNER TYPE:	Full Brass burner
BURNER:	01 big multi flame burner 01 mini multi flame burner 02 mini high flame burner
IGNITION TYPE:	Battery operated
DRIP TRAYS:	Stainless steel
PAN SUPPORT:	Cast iron pan support
KNOB TYPE:	Metal
DIMENSION:	600 X 525 mm





INTRODUCING
PASSILO HOBS





PASSILO SERIES

BUILT IN PASSILO 100-4 HOB

- High Flame Brass Burner
- Auto Ignition
- Cast Iron Pan Support
- Metal Knob



MULTI FLAME CONTROL

Option for Multi flame control, Provide absolute solution when you need maximum & minimum Flame at the same time for heavy duty cooking

OPERATED IGNITION

Say good-bye to lighters! The auto ignition feature automatically lights up the gas doing away with the hassle of using a lighter, thus, making it efficient and convenient.

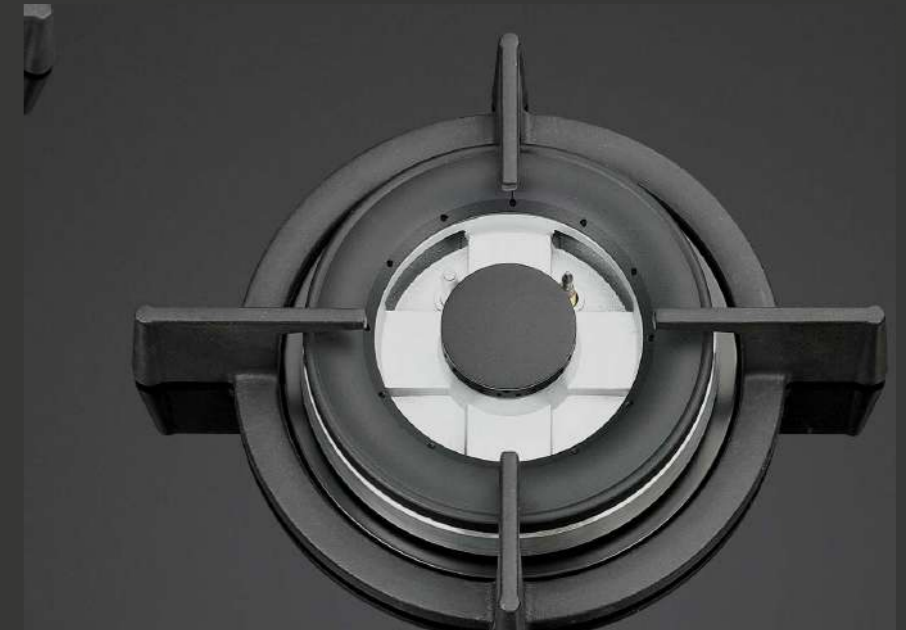


BRASS BURNER

Designer Golden Edge Burner, Even Flame Distribution, High Temperature Resistance, Long Time Cooking

CAST IRON PAN SUPPORT

High Quality heavy duty cast iron Pan support with Exclusively A class enamel finish, Make our hob outshines others.



BLACK TEMPERED GLASS

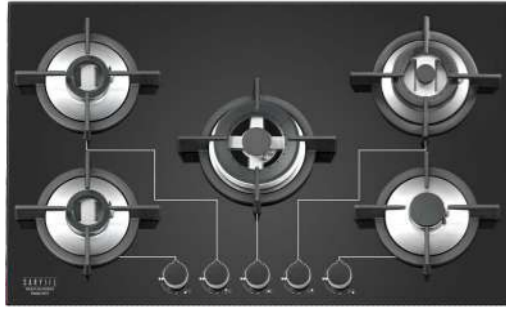
8 mm thick tempered glass

STAINLESS STEEL DRIP TRAYS

Easy to clean

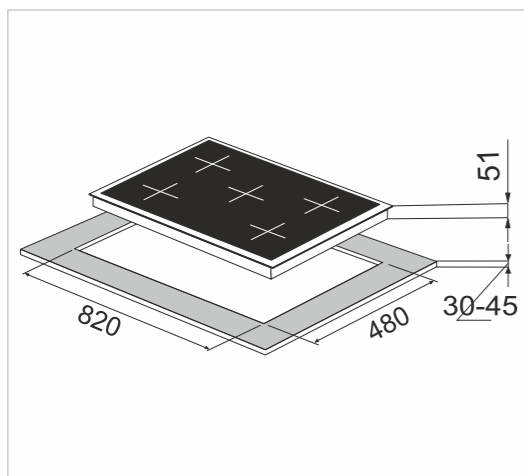


PASSILO 90-5

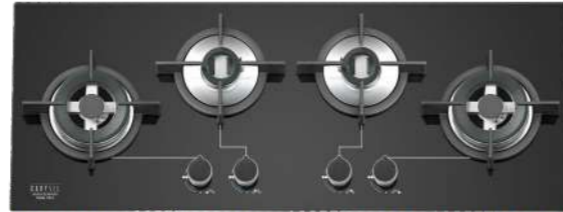


TECHNICAL DETAILS

TYPE OF APPLIANCE:	Built-in hob
FINISH:	Black Tempered Glass (8mm thickness)
BURNER TYPE:	Brass burner
BURNER:	1 big triple ring burner 1 small triple ring burner 2 dual flame burners 1 small burner
IGNITION TYPE:	Auto Ignition-Electric
DRIP TRAYS:	Stainless steel
PAN SUPPORT:	Cast iron pan support
KNOB TYPE:	Metal
DIMENSION:	865 X 520 mm

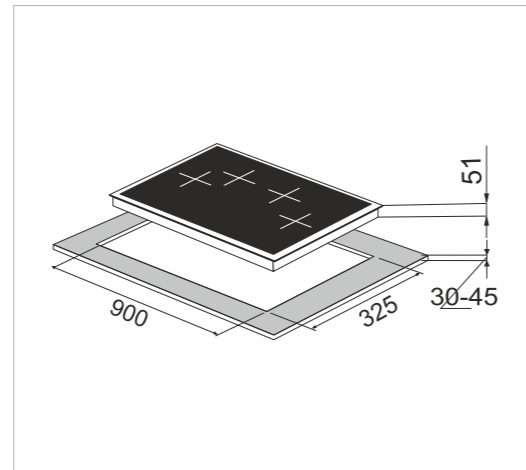


PASSILO 100-4

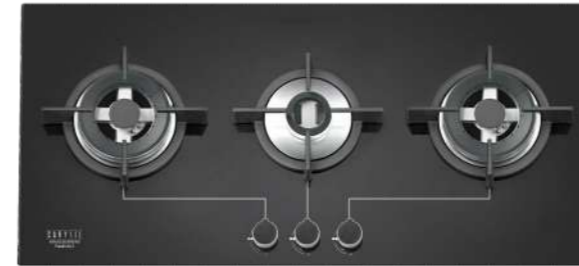


TECHNICAL DETAILS

TYPE OF APPLIANCE:	Built-in hob
FINISH:	Black Tempered Glass (8mm thickness)
BURNER TYPE:	Brass burner
BURNER:	2 big triple ring burner 2 dual flame burners
IGNITION TYPE:	Auto Ignition-Electric
DRIP TRAYS:	Stainless steel
PAN SUPPORT:	Cast iron pan support
KNOB TYPE:	Metal
DIMENSION:	1000 X 380 mm

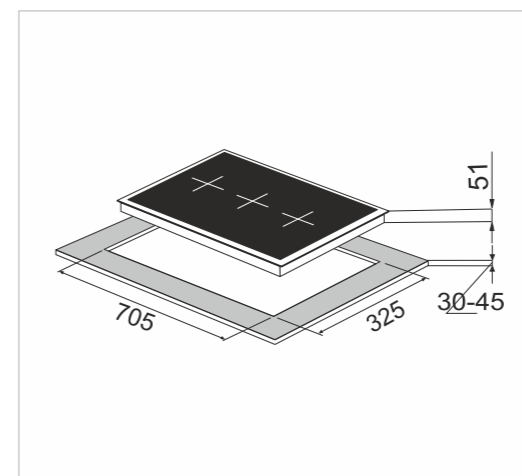


PASSILO 80-3

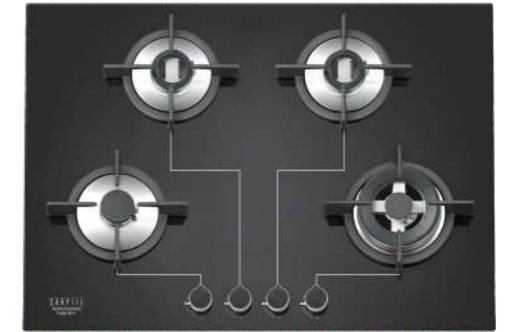


TECHNICAL DETAILS

TYPE OF APPLIANCE:	Built-in hob
FINISH:	Black Tempered Glass (8mm thickness)
BURNER TYPE:	Brass burner
BURNER:	2 big triple ring burner 1 dual flame burners
IGNITION TYPE:	Auto Ignition-Electric
DRIP TRAYS:	Stainless steel
PAN SUPPORT:	Cast iron pan support
KNOB TYPE:	Metal
DIMENSION:	800 X 380 mm

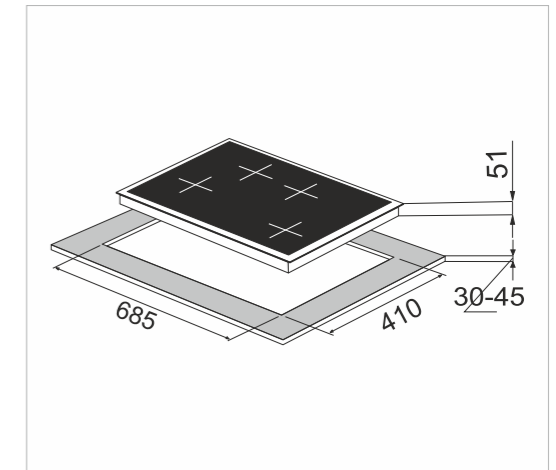


PASSILO 78-4



TECHNICAL DETAILS

TYPE OF APPLIANCE:	Built-in hob
FINISH:	Black Tempered Glass (8mm thickness)
BURNER TYPE:	Brass burner
BURNER:	1 big triple ring burner 2 dual flame burners 1 small burner
IGNITION TYPE:	Auto Ignition-Electric
DRIP TRAYS:	Stainless steel
PAN SUPPORT:	Cast iron pan support
KNOB TYPE:	Metal
DIMENSION:	800 X 520 mm

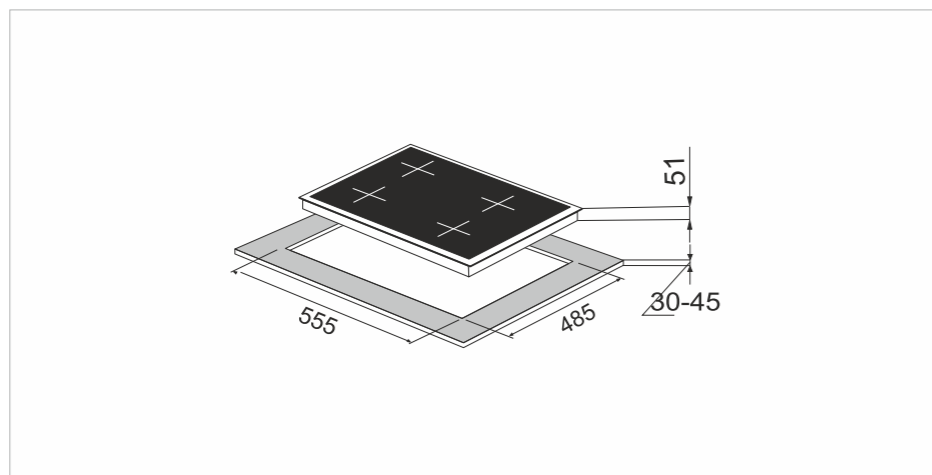


PASSILO 60-4



TECHNICAL DETAILS

TYPE OF APPLIANCE:	Built-in-brass hob
FINISH:	Black Tempered Glass (8mm thickness)
BURNER TYPE:	Brass burner
BURNER:	1 hi-flame triple ring burner 2 dual flame burners 1 small burner
IGNITION TYPE:	Auto Ignition-Electric
DRIP TRAYS:	Stainless steel
PAN SUPPORT:	Cast iron pan support
KNOB TYPE:	Metal
DIMENSION:	600 X 525 mm

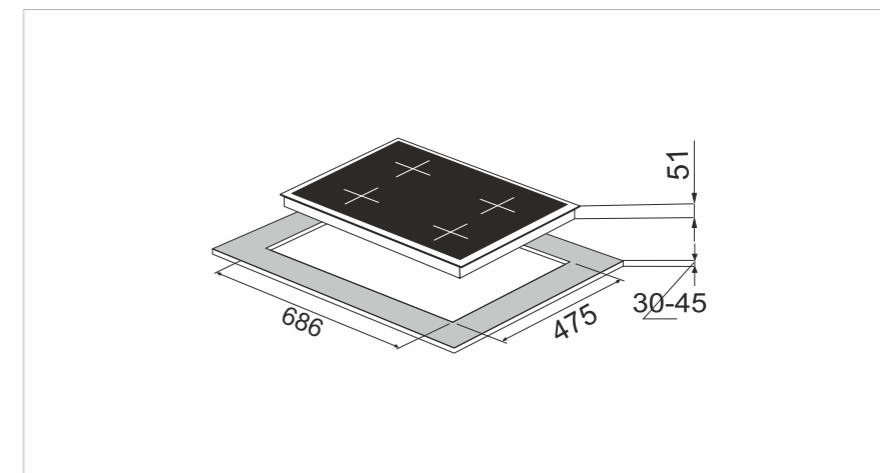


PASSILO 78-3



TECHNICAL DETAILS

TYPE OF APPLIANCE:	Built-in brass hob
FINISH:	Black Tempered Glass (8mm thickness)
BURNER TYPE:	Brass burner
BURNER:	1 hi-flame big triple ring burner 1 small triple ring burner 1 dual flame burner
IGNITION TYPE:	Auto Ignition-Electric
DRIP TRAYS:	Stainless steel
PAN SUPPORT:	Cast iron pan support
KNOB TYPE:	Metal
DIMENSION:	780 X 430 mm



CARYSIL

Lifestyle Sinks & Built-in Appliances

INTRODUCING KRISTAL 78-3





ALL THAT YOU NEED!

BUILT IN KRISTAL 78-3 HOB

- Kristal Design Brass Burner
- Glass Built-in Hob
- Battery Operated Ignition
- Metal Knob
- Black Tempered Glass
- High Flame Brass Burner

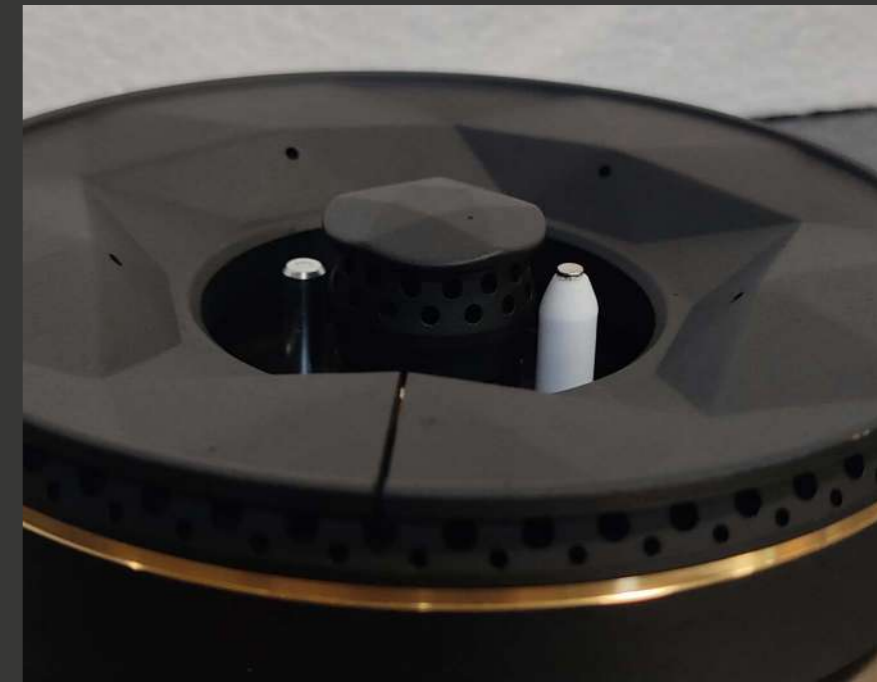


KRISTAL DESIGN BRASS BURNER

Kristal design shape in brass burner

OPERATED IGNITION

Say good-bye to lighters! The auto ignition feature automatically lights up the gas doing away with the hassle of using a lighter, thus, making it efficient and convenient.



BRASS BURNER

Designer Golden Edge Burner, Even Fire Distribution, High Temperature Resistance, Long Time Cooking

CAST IRON PAN SUPPORT

High Quality cast iron Pan support with Exclusively A class enamel finish, Make our hob outshines others.

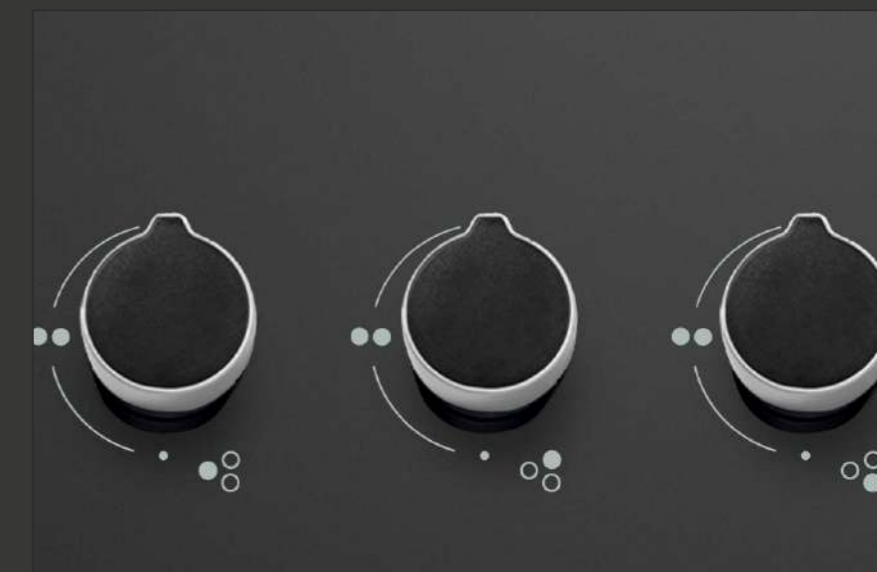


BLACK TEMPERED GLASS

8 mm thick tempered glass

ERGONOMIC KNOB

Our thoughtfully designed cooker knobs are made of stainless steel and bakelite. They are heat resistant and easy to use. These ergonomic controls feature auto-ignition.

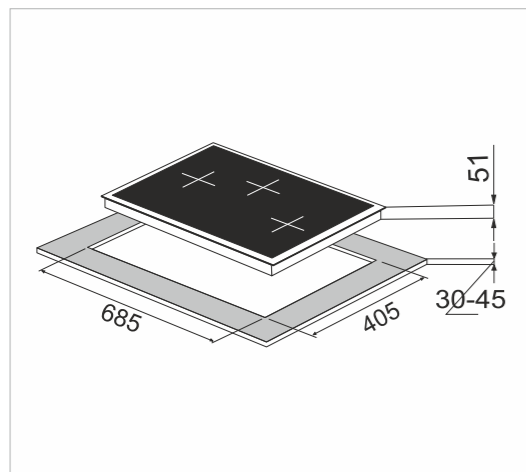


KRISTAL 78-3



TECHNICAL DETAILS

TYPE OF APPLIANCE:	Built-in hob
FINISH:	Black Tempered Glass
BURNER TYPE:	Brass burner
BURNER:	2 kristal design brass burners 1 dual ring burner
IGNITION TYPE:	Battery operated
DRIP TRAYS:	Stainless Steel
PAN SUPPORT:	Matt enamel round pan support
KNOB TYPE:	Metal
DIMENSION:	780 x 450 mm

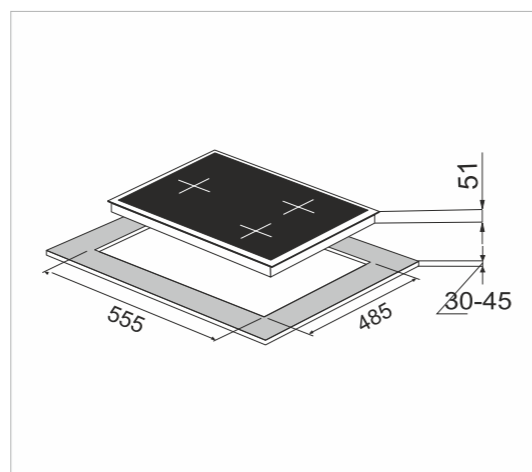


SALSA 60-3



TECHNICAL DETAILS

TYPE OF APPLIANCE:	Built-in hob
FINISH:	Black Tempered Glass
BURNER TYPE:	Brass burner
BURNER:	1 big triple ring burner 1 small triple ring burner 1 dual ring burner
IGNITION TYPE:	Battery operated
DRIP TRAYS:	Stainless Steel
PAN SUPPORT:	Matt enamel round pan support
KNOB TYPE:	Metal
DIMENSION:	600 x 520 mm

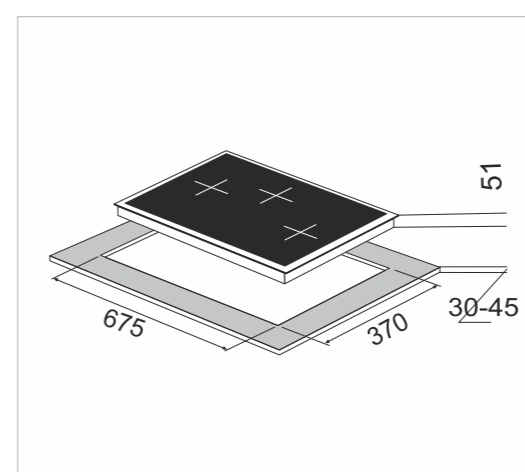


SALSA 78-3



TECHNICAL DETAILS

TYPE OF APPLIANCE:	Built-in hob
FINISH:	Black Tempered Glass
BURNER TYPE:	Brass burner
BURNER:	1 big triple ring burner 1 small triple ring burner 1 dual ring burner
IGNITION TYPE:	Battery operated
DRIP TRAYS:	Stainless Steel
PAN SUPPORT:	Matt enamel round pan support
KNOB TYPE:	Metal
DIMENSION:	780 x 450 mm

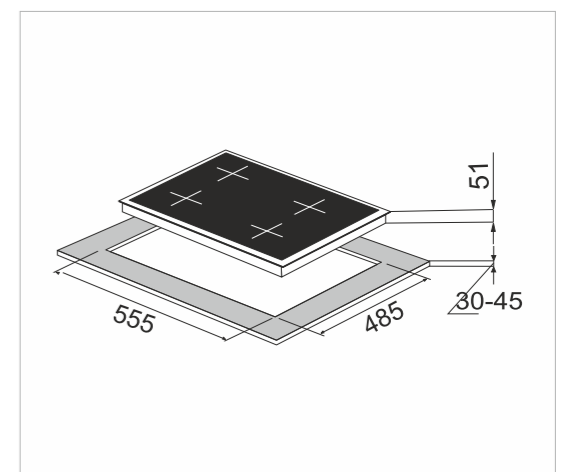


SALSA 60-4



TECHNICAL DETAILS

TYPE OF APPLIANCE:	Built-in hob
FINISH:	Black Tempered Glass
BURNER TYPE:	Brass burner
BURNER:	1 big triple ring burner 1 small triple ring burner 1 dual ring burner 1 small burner
IGNITION TYPE:	Battery operated
DRIP TRAYS:	Stainless Steel
PAN SUPPORT:	Matt enamel round pan support
KNOB TYPE:	Metal
DIMENSION:	600 x 520 mm

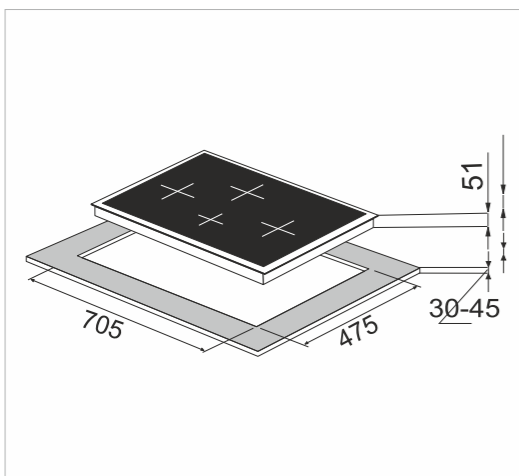


SALSA 78-4



TECHNICAL DETAILS

TYPE OF APPLIANCE:	Built-in hob
FINISH:	Black Tempered Glass
BURNER TYPE:	Brass burner
BURNER:	1 triple ring burner 1 small triple ring burner 1 dual ring burner 1 medium burner
IGNITION TYPE:	Battery operated
DRIP TRAYS:	Stainless Steel
PAN SUPPORT:	Matt enamel round pan support
KNOB TYPE:	Metal
DIMENSION:	780 x 520 mm

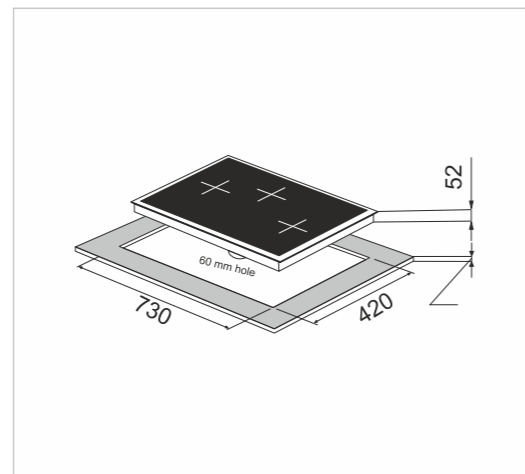


DIMS 75-3



TECHNICAL DETAILS

TYPE OF APPLIANCE:	Built-in hob
FINISH:	Black Tempered Glass
BURNER TYPE:	Brass burner
BURNER:	2 big burner 1 small burner
IGNITION TYPE:	Battery operated
DRIP TRAYS:	Stainless Steel
PAN SUPPORT:	Cast iron square pan support
KNOB TYPE:	Bakelite metal knob
DIMENSION:	750 x 450 mm

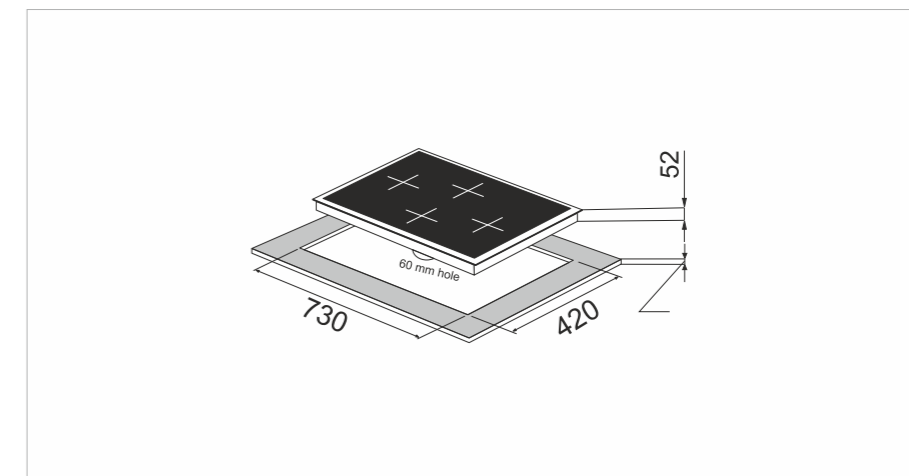


DIMS 75-4



TECHNICAL DETAILS

TYPE OF APPLIANCE:	Built-in hob
FINISH:	Black Tempered Glass
BURNER TYPE:	Brass burner
BURNER:	2 big burner 2 small burner
IGNITION TYPE:	Battery operated
DRIP TRAYS:	Stainless Steel
PAN SUPPORT:	Cast iron square pan support
KNOB TYPE:	Bakelite metal knob
DIMENSION:	750 x 450 mm

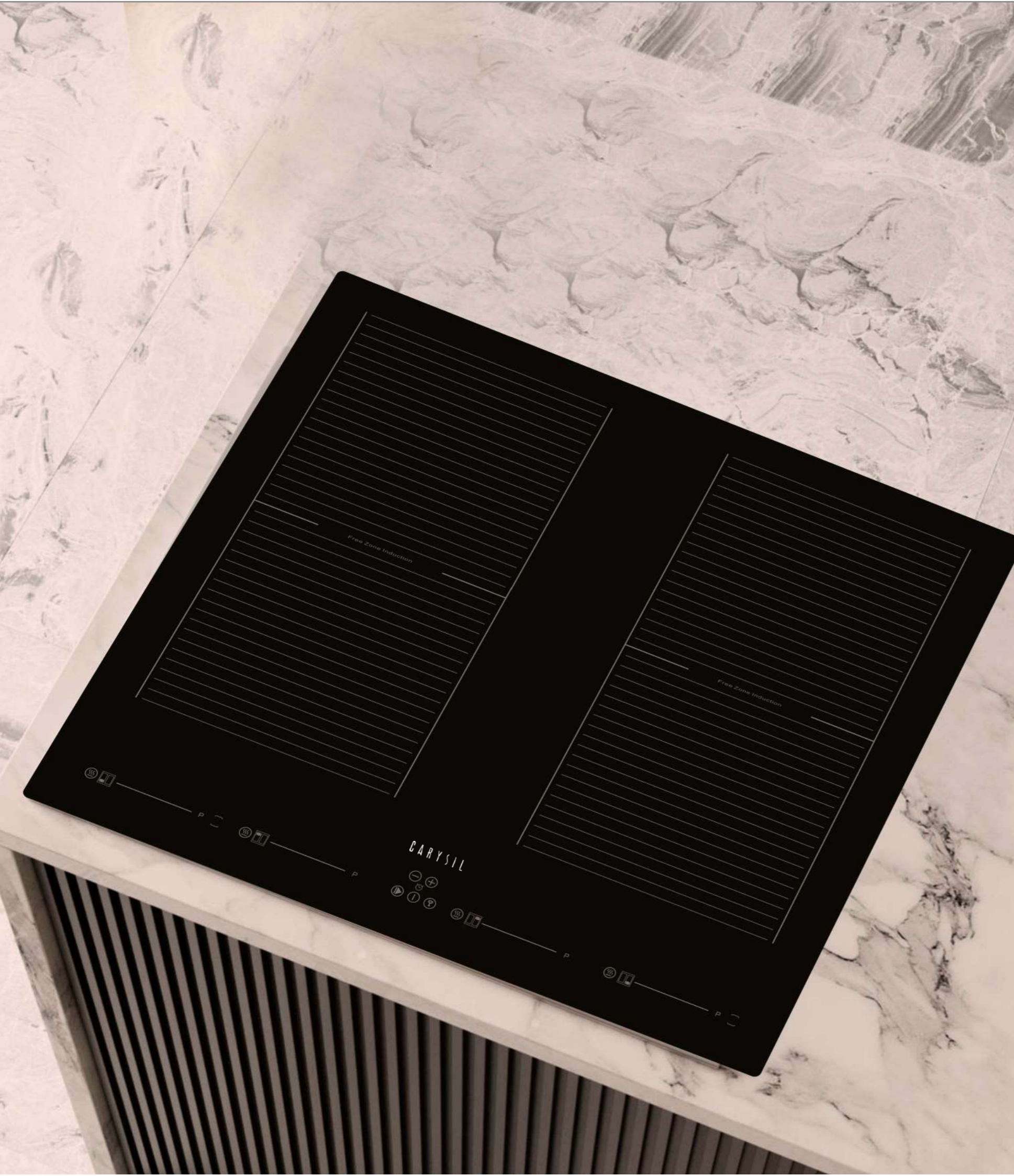


CARYSIL

Lifestyle Sinks & Built-in Appliances

INTRODUCING
BUILT-IN INDUCTION
HOBS





MY SECRET INGREDIENT

BUILT-IN INDUCTION

- Free Zone
- Pan Sensor
- Slide Control
- Automatically Safety Switch off
- Child - lock for safety.



TIME SAVING

Designed for efficient heating to quickly reach the desired temperatures.

AUTOMATIC SAFETY SWITCH-OFF

This safety feature automatically turns off any cooking zones if forgotten to be turned off or if there's no change in the operation for a certain time period.



SLIDE CONTROL

Simply glide your finger across the LED display to adjust the heat level with one easy motion.

RESIDUAL HEAT INDICATOR

Avoids getting burned by a hot cooking surface. Simply when the letter "H" appears on the display, it indicates that the surface is hot, do not touch!



PAN SENSOR

Recognises the dimension of the cookware and determines the size of the cooking zone accordingly.

INTELLIGENT OPTIONS

Equipped with intelligent electronic features such as pan sensor, keep warm function, pause option.



TOUCH CONTROL

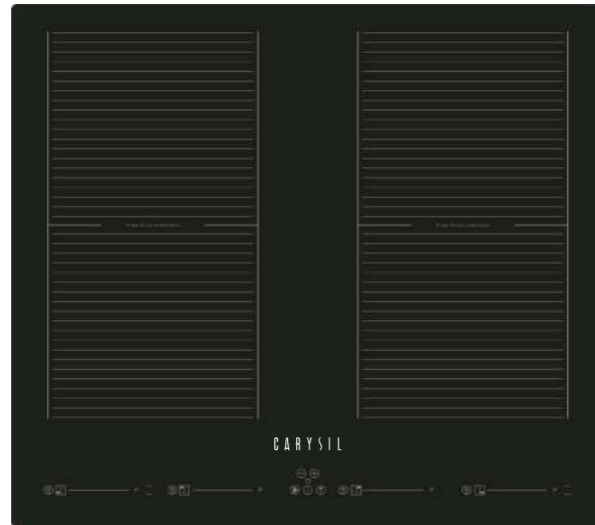
Desired cooking zone can be regulated easily.

CHILD SAFETY LOCK

CARYSIL induction hobs guarantees the maximum safety for tiny hands.

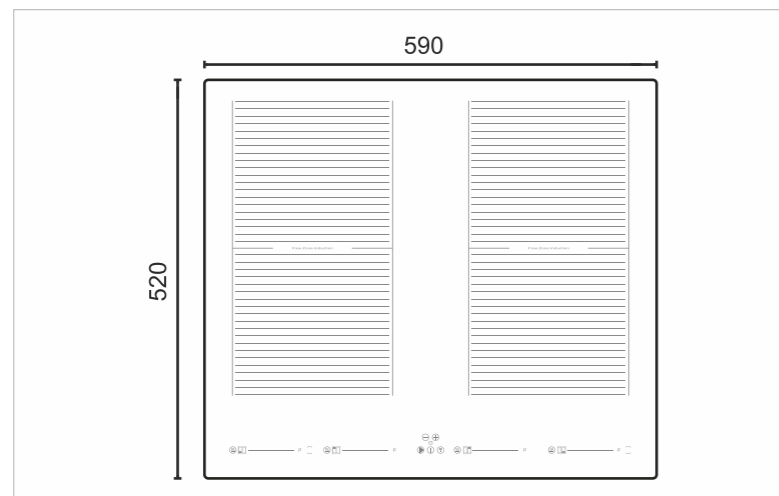


INDUCTION 4 ZONE 60 cm Induction Hob



TECHNICAL DETAILS

COOKING ZONE:	04 Induction Zones
WORK TOP DESIGN:	SCHOTT German Glass
CONTROL:	Slider Touch Control
HEATING:	Induction Heating Element
INDICATOR:	Residual Heat Indicator
POWER LEVELS:	9 Stage
TIME:	1-99 minute timer
COOKING ZONE POWER:	180mm, 2000/2300W (Front Left Zone), 160mm, 1200/1500W (Front Right Zone), 180mm, 2000/2300W (Rear Right Zone), 160mm, 1200/1500W (Rear Left Zone), 7.0kW(230V~)Total Power
FEATURES:	Pan Sensor, Automatic Safety Switch Off, Child Safety Lock, 4 Booster, Keep Warm Function

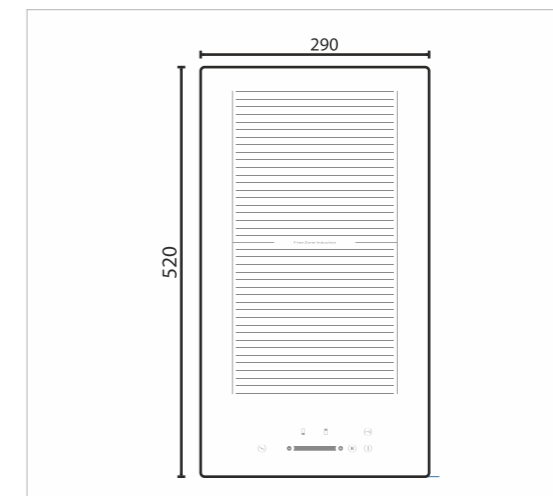


INDUCTION 2 ZONE 30 cm Domino Induction Hob



TECHNICAL DETAILS

COOKING ZONE:	02 Induction Zones
WORK TOP DESIGN:	SCHOTT German Glass
CONTROL:	Slider Touch Control
HEATING:	Induction Heating Element
INDICATOR:	Residual Heat Indicator
POWER LEVELS:	9 Stage
TIME:	1-99 minute timer
COOKING ZONE POWER:	160mm, 1200/1500W (Front Zone), 180mm, 2000/2300W (Rear Zone), 3.5kW(230V~)Total Power
FEATURES:	Pan Sensor, Automatic Safety Switch Off, Child Safety Lock, 2 Booster, Keep Warm Function



INTRODUCING
BUILT-IN DEEP FRYER





BUILT - IN FRYER

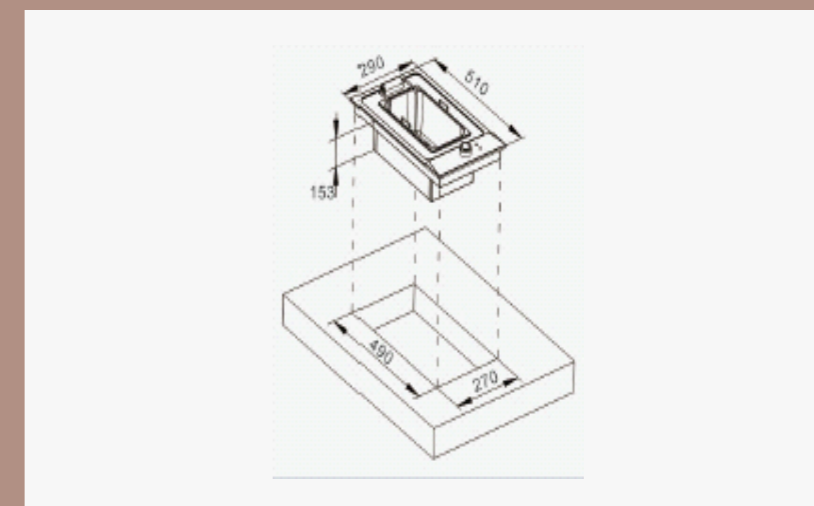
BUILT-IN DEEP FRYER

- Unique Full Stainless Steel Body
- Deep Fryer
- Easy To Use
- Precise Temperature Cooking



TECHNICAL DETAILS

SIZE:	30 cm
FINISH:	SS 304 body
DESIGN:	INOX
CONTROL:	Knob
CAPACITY:	2.7 ltr
COMFORT:	Easy to Clean
INDICATOR:	Heating
IGNITION:	Electric
DIMENSIONS:	268 mm x 485 mm x 100 mm



CARYSIL

Lifestyle Sinks & Built-in Appliances

INTRODUCING
BUILT-IN BARBEQUE

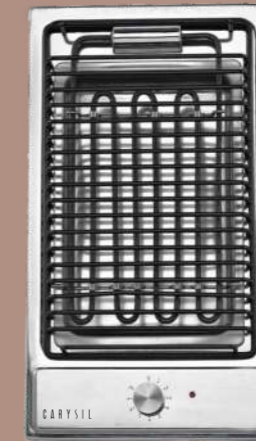
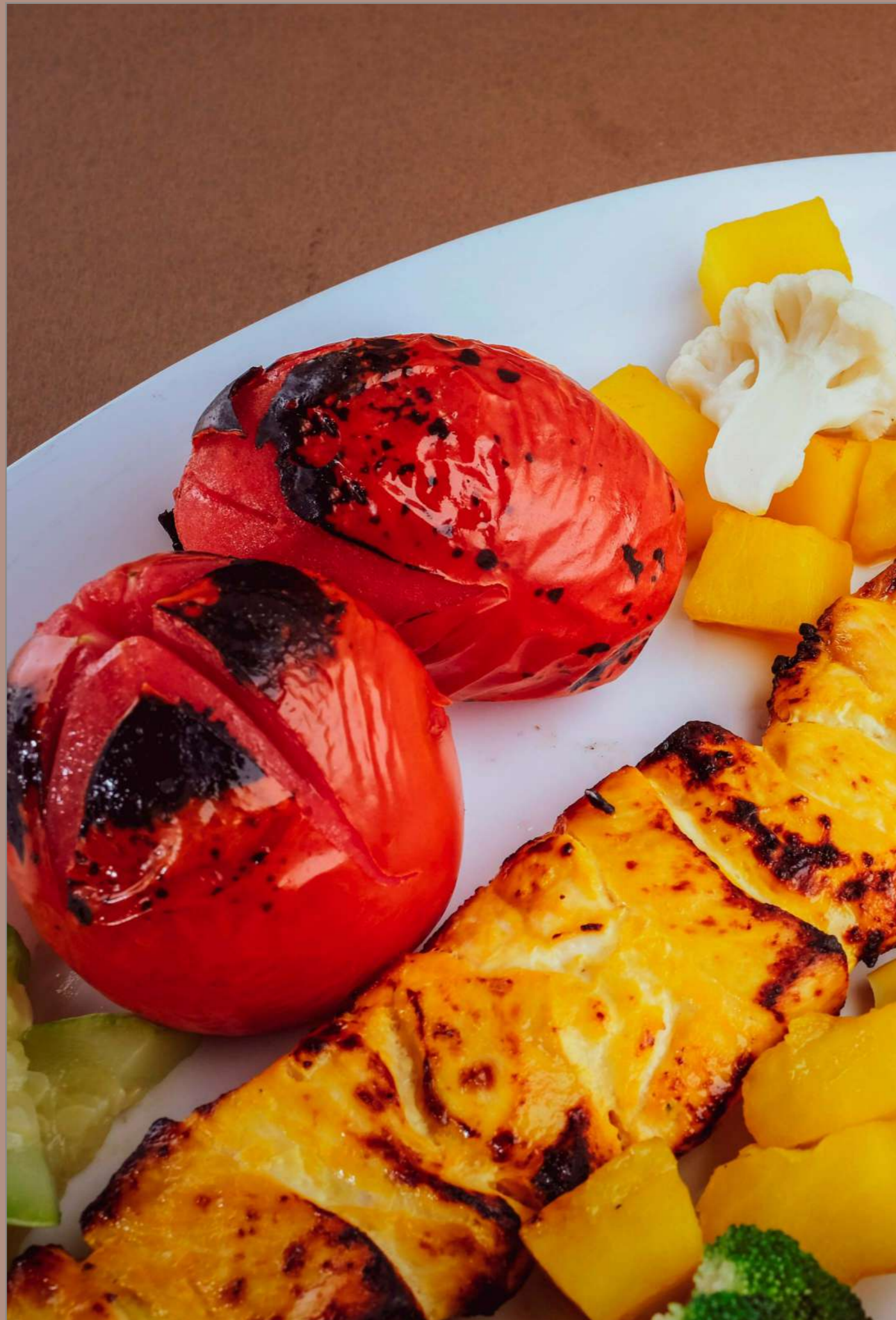




BUILT - IN TASTE

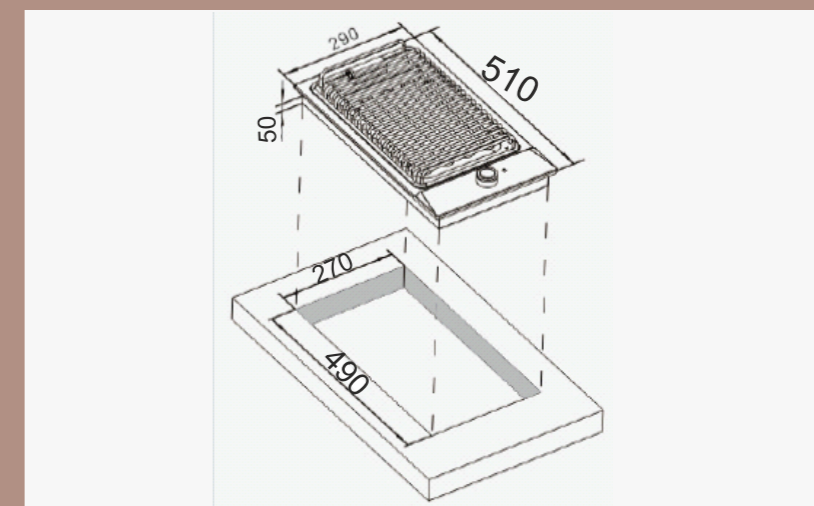
BUILT-IN BARBEQUE

- A Unique Full Stainless Steel Body.
- Deep Barbeque.
- Suitable For All Types Of Roasted Food.
- Precise Temperature Cooking.
- Equipped With Original Lava Stones To maintain the perfect temperature for cooking Indian and Europe Food.
- Cast Iron Pan Support.



TECHNICAL DETAILS

SIZE:	30 cm
FINISH:	SS 304 body
DESIGN:	INOX
CONTROL:	Knob
INPUT POWER:	2.3 kw
COMFORT:	Easy to Clean Cast Iron Grill & SS Body
INDICATOR:	Heating
COOKING:	Lava Stone
IGNITION:	Electric
DIMENSIONS:	290 mm x 510 mm x 60 mm



CARYSIL

Lifestyle Sinks & Built-in Appliances

INTRODUCING
FREE-STANDING
COOKING GAS
RANGE





MULTI - FUNCTIONAL

FSCR-FREE-STANDING COOKING GAS RANGE

- Combination of Hob and Oven
- 62 ltr Gas oven Cavity with FFD
- Sabaf Made in Italy Burner
- Double Door Glass
- Rotisserie
- Digital Reminder with LED Display



TIMER FUNCTION

The Carysil Cooking Range FSCR-01 has a digital timer with an LED display to help you control your cooking requirements. The digital numbers are easy to read keeping you well informed about the cooking time at every stage of use. The convenient timer switch sets the system for precise cooking as per recipe and also helps save energy.

BETTER FUNCTIONALITY WITH SUPPORTING ACCESSORIES

The Carysil Cooking Range FSCR-01 is a convection oven, comes with a deep tray, Oven Grid and rotisserie and has a stainless-steel cooking cavity that assures long-lasting good looks, easy maintenance and better baking performance in everyday use. The grill rack and tray handle make the oven perfect for various grilling needs.



HIGH POWER BURNERS

Our Cooking Range has 4 High Power Burners to enable you to cook multiple dishes at one time. It has one Triple Ring Burner, One Big Burner, One Medium burner and one Small Burner. Now you can cook your meals faster in just a few hours.

DOUBLE GLASS OVEN DOOR

The Free Standing Cooking Gas Range Gas Burner comes with an oven integrated into it. It has a double glass Oven Door which opens easily. Not only you can cook delicious food but you can also bake cakes and cookies at the same time. The gas oven has 62-liters capacity and comes with a tray, an oven grid and rotisserie.



THICK PAN SUPPORT

The burners of this cooking range are bounded by thick pan supports which are made from good quality cast iron to provide longevity and maximum stability for pots and pans that are placed on top of the burners. The thickness of these supports ensures that they serve their purpose extremely well.

SABAF BURNERS

Cook for your guests with our Carysil Cooking Range which are fitted with SA-BAF burners to cook delectable meals quick and effortlessly! The burners are designed to have an equal distribution of flame while cooking ensuring that your food is evenly cooked. It is also designed to hold small and large utensils.

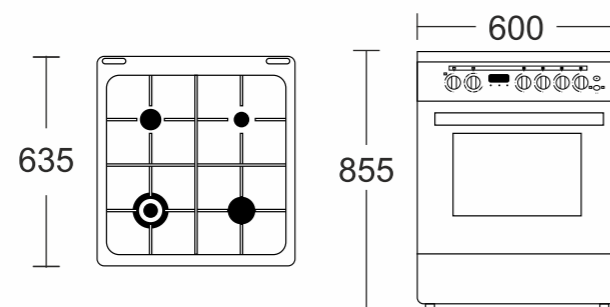


FSCR 01



TECHNICAL DETAILS

TYPE OF APPLIANCE:	Free standing gas cooker
FINISH:	Full stainless steel body, Double glass door
GAS OVEN CAPACITY:	62 L
BURNER TYPE:	Original italian sabaf burners
BURNER:	4 Burners (1 triple ring burner, 1 big burner, 1 medium burner and 1 small burner)
IGNITION TYPE:	Auto ignition
PAN SUPPORT:	Cast iron square pan support
ACCESSORIES	1 Deep tray and 1 chrome coated wire grid
FEATURE:	Flame failure device for oven Flame failure device for hob Rotisserie Timer function Digital reminder with LED display Top glass lid Gas oven with grill
DIMENSION:	600 x 635 x 855 mm

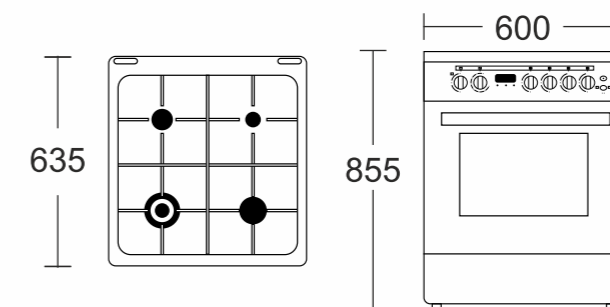


FSCR-04



TECHNICAL DETAILS

TYPE OF APPLIANCE:	Free standing gas cooker
FINISH:	Full black body Double glass door
OVEN CAPACITY:	62 L(Electric)
BURNER TYPE:	Original italian sabaf brass burners
BURNER:	04 Burners (1 triple ring brass burner, 1 big brass burner, 1 medium brass burner and 1 small brass burner)
IGNITION TYPE:	Auto ignition
PAN SUPPORT:	Enamel iron pan support + WOK adaptor
ACCESSORIES:	1 Deep tray and 1 chrome coated wire grid
FEATURE:	Flame failure device for oven Rotisserie Mechanical timer Glass lid Electric oven with turbo fan
DIMENSION:	600 x 635 x 855 mm



CARYSIL

Lifestyle Sinks & Built-in Appliances



INTRODUCING
COOKTOP





ELEGANCE AND EFFICIENCY

COOKTOPS

- Brass heavy duty Burner
- Auto ignition
- Black Toughened Glass
- Designer square cast iron pan support
- Metal knob

HORNET 3BR



TECHNICAL DETAILS

NO OF BURNER: 3 Burner (01 Super big, 01 Big, 01 Small)

BURNERS: 3 Brass Forged Burner

MATERIAL: Black Toughened Glass

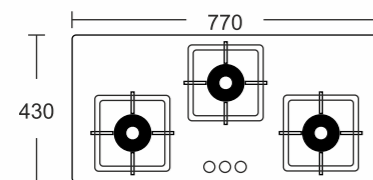
IGNITION TYPE: Auto ignition

PAN SUPPORT: Designer Square cast iron pan support

KNOB TYPE: Metal

DIP TRAY: Stainless Steel

DIMENSION: 770 x 430 mm



HORNET 4BR



TECHNICAL DETAILS

NO OF BURNER: 4 Burner (01 Super big, 01 Big, 02 Small)

BURNERS: 4 Brass Forged Burner

MATERIAL: Black Toughened Glass

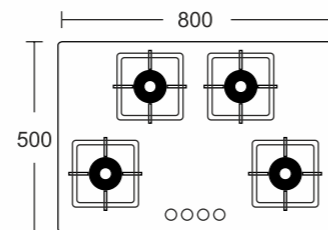
IGNITION TYPE: Auto ignition

PAN SUPPORT: Designer Square cast iron pan support

KNOB TYPE: Metal

DIP TRAY: Stainless Steel

DIMENSION: 800 x 500 mm



PIANO 3BR NA CI



TECHNICAL DETAILS

NO OF BURNER: 3 Burner (01 Super big, 01 Big, 01 Small)

BURNER: Heavy Duty Burner

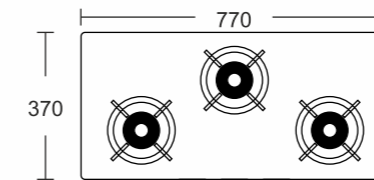
MATERIAL: Toughened glass & steel

KNOB TYPE: Metal

PAN SUPPORT: Designer cast iron pan support

DIP TRAY: Stainless Steel

DIMENSION: 770 x 370 mm



PIANO 4BR NA CI



TECHNICAL DETAILS

NO OF BURNER: 4 Burner (01 Super big, 01 Big, 02 Small)

BURNER: Heavy Duty Burner

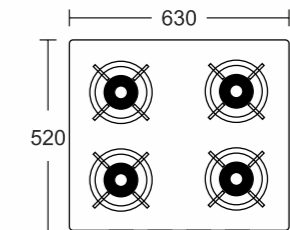
MATERIAL: Toughened glass & steel

KNOB TYPE: Metal

PAN SUPPORT: Designer cast iron pan support

DIP TRAY: Stainless Steel

DIMENSION: 630 x 520 mm

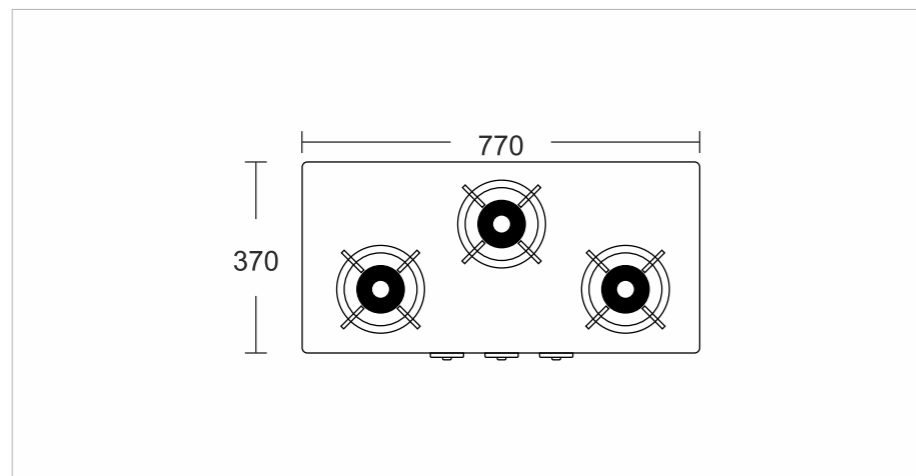


MAPLE 3BR



TECHNICAL DETAILS

NO OF BURNER:	3 Burner (01 Super big, 01 Big, 01 Small)
FINISH :	Black powder coated body + Black glass
BURNER:	Brass burner
MATERIAL:	Black Toughened glass
KNOB:	Bakelite
PAN SUPPORT:	Enamel pan support,
IGNITION TYPE:	optional battery ignition
DIMENSION:	770 x 370 mm

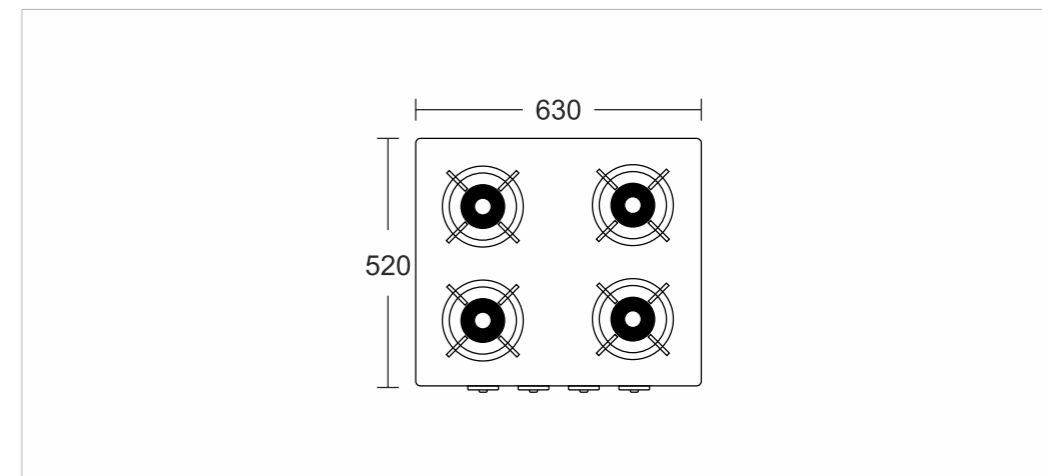


MAPLE 4BR



TECHNICAL DETAILS

NO OF BURNER:	4 Burner (01 Super big, 01 Big, 02 Small)
FINISH :	Black powder coated body + Black glass
BURNER:	Brass burner
MATERIAL:	Black Toughened glass
KNOB:	Bakelite
PAN SUPPORT:	Enamel pan support,
IGNITION TYPE:	optional battery ignition
DIMENSION:	630 x 520 mm



CARYSIL

Lifestyle Sinks & Built-in Appliances

INTRODUCING
BUILT-IN
DISHWASHER





THE BEST ASSISTANT

BUILT-IN DISHWASHER

- World Class A+ Energy Saving, Minimum Water Consumption
- Extra 3rd Special Basket For Cutlery With Dedicated Shower Arm For Perfect Cleaning
- Equipped with Water Softener Technology
- Suitable For Use In Any Region Or Climate In India
- Different Automatic Programmes For Cleaning All Types Of Utensils
- Durable Stainless Steel Tub Salt And Rinse Aid Refill Indicator
- Dual Zone Wash Function (option Of Half Load)



HYGIENIC WASH

With CARYSIL dishwasher waterheats up to 75°C & kills germs & bacteria 99.99%

ELECTRONIC CONTROL WITH DISPLAY

Displays the different automatic programmes for cleaning all types of utensils, on a control panel.



DUAL ZONE WASH FUNCTION

This option adjusts the water spray intensity on each rack, so that fragile glassware is washed gently in the upper rack and heavily soiled pots and pans are washed thoroughly clean in the lower rack in the same cycle.

LOW NOISE LEVEL

This feature assists in a peaceful and organised dish washing experience.



ORGANIZE THE CUTLERY

Extra 3rd special basket for cutlery with a dedicated shower arm for perfect cleaning.

SELF CLEANSING FILTER

A self cleaning filter rarely needs attention. The rush of water forces food through the filter, breaking it into tiny particles that wash away keeping all the utensils sparkling clean.

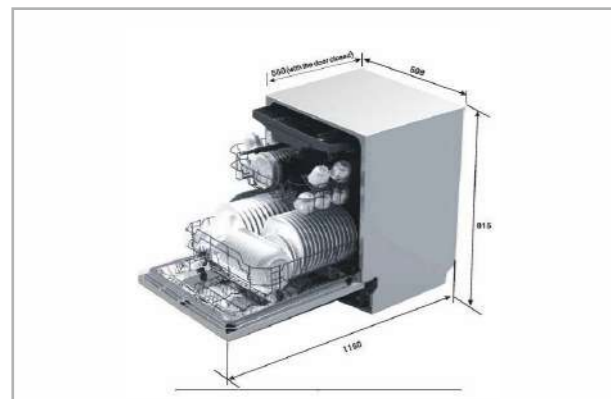


BUILT IN DISHWASHER DW- 01



TECHNICAL DETAILS

TYPE OF APPLIANCE:	Fully built-in dishwasher
FINISH:	Inox
ENERGY GRADE:	A+ Energy class
WATER CONSUMPTION:	10 L / cycle
LOADING CAPACITY:	14 place setting
TYPE OF CONTROL :	Button control
HALF LOAD:	Yes
NO OF WASHING PROGRAMS:	7 (Auto/Intensive/Normal/ Glass/Eco/Rapid /90 min)
NOISE LEVEL:	44 dB
TRAYS:	1 lower rack 1 adjustable upper rack 1 Cutlery Drawer
DELAY START:	1-24 h
COMFORT:	Self cleaning filter system Detergent automation Salt and resine indicator Extra drying, Top Sprayer
DIMENSION:	815 X 598 X 550 mm
BASKET LEVEL:	3

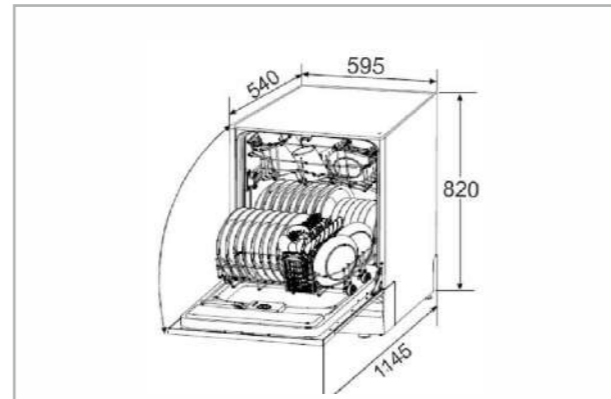


SEMI BUILT-IN DISHWASHER DW-02



TECHNICAL DETAILS

TYPE OF APPLIANCE:	Semi built-in dishwasher
FINISH:	Inox
ENERGY GRADE:	A+ Energy class
WATER CONSUMPTION:	11 L / cycle
LOADING CAPACITY:	12 place setting
TYPE OF CONTROL :	Button control
HALF LOAD:	Yes
NO OF WASHING PROGRAMS:	6 (Intensive/Normal/ Glass/Eco/Rapid /90 min)
NOISE LEVEL:	49 dB
TRAYS:	1 lower rack 1 adjustable upper rack
DELAY START:	3-6-9 h
COMFORT:	Self cleaning filter system Detergent automation Salt and resine indicator
DIMENSION:	815 X 595 X 580 mm
BASKET LEVEL:	2

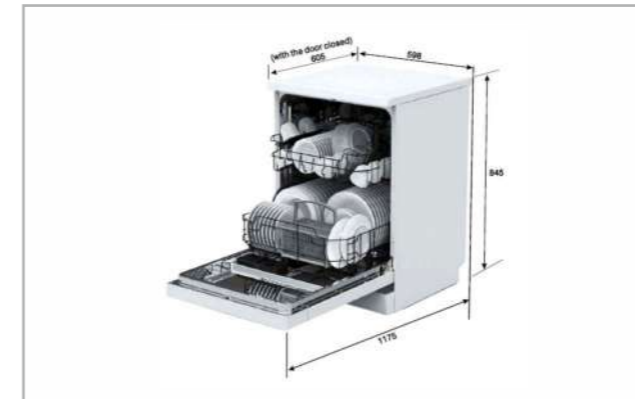


FREE STANDING DISHWASHER DW-03



TECHNICAL DETAILS

TYPE OF APPLIANCE:	Free standing dishwasher
FINISH:	White
ENERGY GRADE:	A++ Energy class
WATER CONSUMPTION:	11 L / cycle
TYPE OF CONTROL :	Button control
HALF LOAD:	Yes
NO OF WASHING PROGRAMS:	6 (Intensive/Normal/ Glass/Eco/Rapid /90 min)
BASKET LEVEL:	2
NOISE LEVEL:	49 dB
TRAYS:	1 lower rack, 1 upper rack
DELAY START:	1-24 h
LOADING CAPACITY:	12 Place setting
COMFORT:	Child lock Self cleaning filter system Detergent automation Cutlery Basket Salt and resine indicator
DIMENSION:	845 X 598 X 600 mm

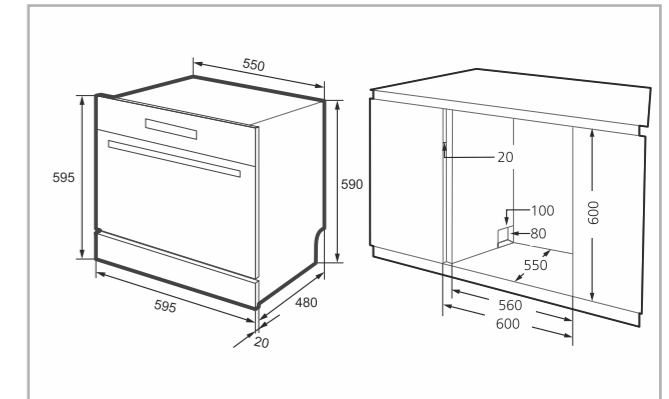


BUILT-IN DISHWASHER DW-04



TECHNICAL DETAILS

TYPE OF APPLIANCE:	Semi Built-in
FINISH:	Black SS
ENERGY GRADE:	A+ Energy class
WATER CONSUMPTION:	8 L / cycle
TYPE OF CONTROL :	Touch control
HALF LOAD:	Yes
NO OF WASHING PROGRAMS:	6 (Intensive/Self Cleaning/ Glass/Eco/Rapid /Auto)
BASKET LEVEL:	2
NOISE LEVEL:	49 dB
TRAYS:	1 lower rack, 1 upper rack
DELAY START:	1-24 h
TYPE OF INDICATOR:	LED Display
TYPE OF HEATING ELEMENT:	Hidden
DISPENSER TYPE:	Cover
LOADING CAPACITY:	8 place setting
COMFORT:	Water softner, 72H storage, Child lock
DIMENSION:	550X 595 X 595 mm



CARYSIL

Lifestyle Sinks & Built-in Appliances

INTRODUCING
BUILT-IN
REFRIGERATOR





IT ALL COMES TOGETHER!!

BUILT IN REFRIGERATOR

- Frost-free Freezer Ensures You Do Not Need To Clean The Extra Ice Every 15 Days
- The Refrigerator Perfectly Fits Within The Standard 600mm Cabinet.
- Delivers Result In Indian Summers With Temperatures Above 50 Degrees Centigrade



FAST COOLING

It blows cold air right onto the items placed on top, freezing 10% faster compared to the other items, freezer shelves.

SUPER COOL

Can refrigerate the food quicker and keep food fresh for a long period.



EASY-FIT

Made in the standard size fits perfectly in the 600 mm cabinet.

EXCELLENT MODES FOR SAVING ELECTRICITY

Brings in higher energy efficiency as cooling energy and maintains appropriate temperatures in the freezer and the refrigerator compartments.



A+ ENERGY EFFICIENCY

The need of the hour is to save energy and resources. With an environmental vision, Carysil refrigerators come with an efficiency of energy rating.

FROST FREE

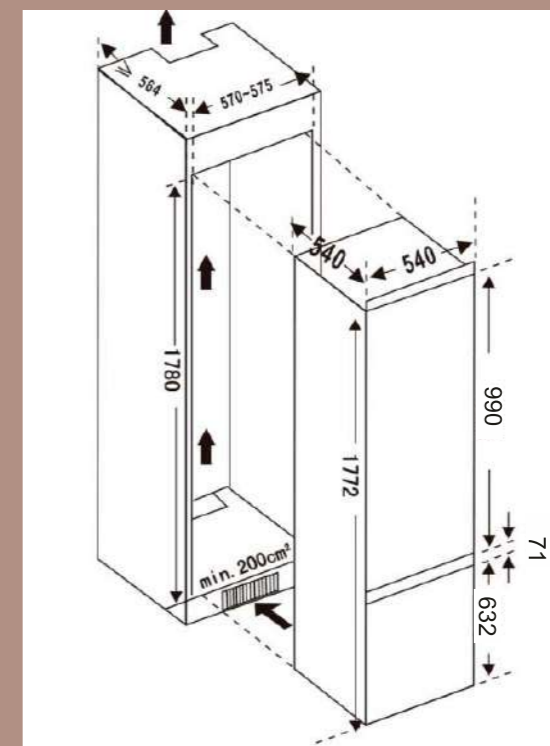
The Frost Free system ensures that defrosting is never necessary. Providing ease of use, it maintains the right temperature for more effective food preservation in the fridge as well.





TECHNICAL DETAILS

Capacity:	240L(R:183L F:57)
Temperature:	Electronic for temp. control
TYPE OF APPLIANCE:	No frost built-in fridge
FINISH:	White color cabinet
REFRIGERANT	R600a
ENERGY GRADE:	A+
CLIMATE CLASS:	ST
Comfort:	<ul style="list-style-type: none"> Adjustable feet Ventilation for fridge Low frost for freezer 4 tempered glass shelves in fridge 4 full width door rack on fridge door 1 vegetable crisper with glass cover 3 crystal drawers in freezer Ventilation for fridge Automatic defrosting Easy fit Low Noise
Dimensions:	540 x 540 x 1772 mm



CARYSIL

Lifestyle Sinks & Built-in Appliances



INTRODUCING
**BUILT-IN
WINE CHILLER**



CELEBRATE BUILT- IN WINE CHILLER

- Carysil Wine Chiller Ensures That All Premium Wines Remain Intact For The Perfect Celebrations
- Attractively And Efficiently Designed For Homes
- Black Casing With Glass Door And Wooden Shelves
- Compressor With Direct Cooling



BLACK CASING WITH TRANSPARENT, PANORAMIC DOOR

Elegantly designed, the wine chiller comes with an attractive complete black equipment casing.

COMPRESSOR WITH DIRECT COOLING

Chill your favorite red or white wines to perfection inside this efficient wine chiller. Equipped with a high precision compressor cooling technology and built-in circulation. This electric chiller is a must-have for any serious wine enthusiast or aspiring sommelier.



TEMPERATURE CONTROL SETTING

The temperature controls enable to set the ideal temperature depending on which wines are being stored. There are two different panels to set the temperature. On one panel you can set from 12°C to 18°C whereas on the second panel you can set from 4°C to 12°C.

RECESSED DOOR HANDLE

Space is always at a premium, especially in a small apartment or studio. That was definitely figured into the overall design of this wine cellar with its space-saving, recessed door handle. This integrated configuration makes it convenient to use without taking up no additional space.



ELEGANT TOUCH PAD CONTROL

The wine chillers are designed in an attractive efficient manner way to keep the favourite wine bottles at the perfect temperature.

LARGE WOODEN SHELVES

Due to large wooden shelves, this products carry large number of bottle



LOW OPERATING NOISE

It is equipped with an advanced cooling system that will keep all beverages at the right temperature.

DUAL ZONE

The Wine Cooler by Carysil has a Dual Zone Function that has two temperature controls. The storage space is divided into sections which may be set to their temperatures and keep the wines on their ideal temperature. Whether you prefer a Red Wine or White Wine with dinner, this unit's dual-zone design will hold both types of wine at optimal storage conditions.

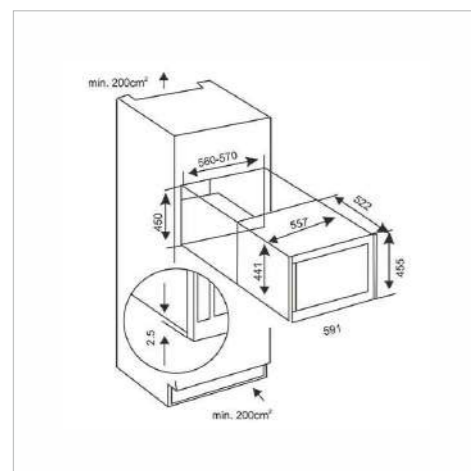


BUILT- IN WC 18 BOTTLES



TECHNICAL DETAILS

TYPE OF APPLIANCE:	Wine chiller
Capacity:	60L/18 bottles
Display:	LED Display
Temperature:	5-20 degree temperature range
Type:	Built - in
Range of inside cabin Humidity	>60%RH
Glass:	Black casing with glass door and wooden shelves
Cooling	Compressor with direct cooling
DIMENSIONS:	600 X 455 X 595 mm

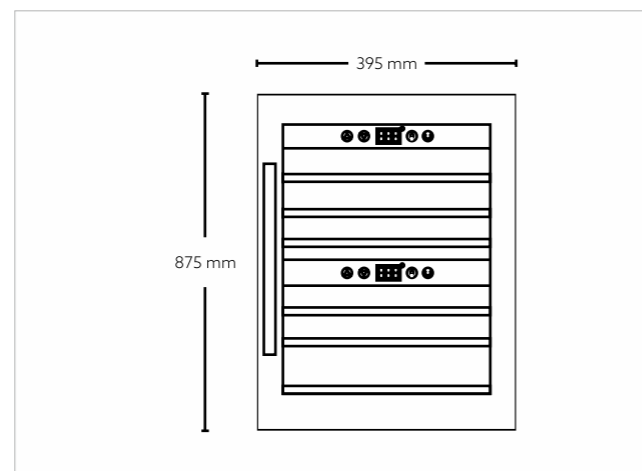


WC 24 BOTTLES



TECHNICAL DETAILS

TYPE OF APPLIANCE:	Wine chiller
FINISH:	Black casing with transparent, panoramic door
CAVITY CAPACITY:	80 L / 24 bottles
DISPLAY:	LED display
TEMPERATURE RANGE:	3-12 degree for white wine 12-20 degree for red wine
	Compressor with direct cooling
RANGE OF INSIDE CABINET HUMIDITY:	>60% RH
COMFORT:	Blue LED light Anti UV glass
DIMENSION:	395 X 875 X 545 mm

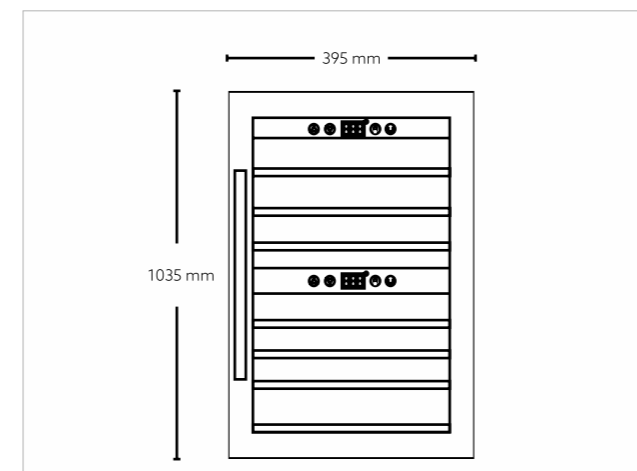


WC 38 BOTTLES



TECHNICAL DETAILS

TYPE OF APPLIANCE:	Wine chiller
FINISH:	Black casing with transparent, panoramic door
CAVITY CAPACITY:	125 L / 38 bottles
DISPLAY:	LED display
TEMPERATURE RANGE:	3-12 degree for white wine 12-20 degree for red wine
	Compressor with direct cooling
RANGE OF INSIDE CABINET HUMIDITY:	>60% RH
COMFORT:	Blue LED light Anti UV glass
DIMENSION:	395 X 1035 X 630 mm

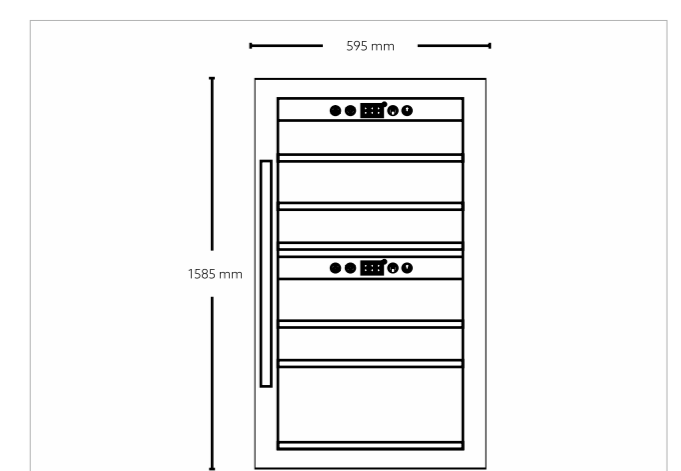


WC 126 BOTTLES



TECHNICAL DETAILS

TYPE OF APPLIANCE:	Wine chiller
FINISH:	Black casing with transparent, panoramic door
CAVITY CAPACITY:	350 L / 120-140 bottles
DISPLAY:	LED display
TEMPERATURE RANGE:	3-12 degree for white wine 12-20 degree for red wine
	Compressor with direct cooling
RANGE OF INSIDE CABINET HUMIDITY:	>60% RH
COMFORT:	Blue LED light Anti UV glass
DIMENSION:	595 X 1585 X 630 mm



CARYSIL

Lifestyle Sinks & Built-in Appliances

INTRODUCING
ICE MAKER





THE SMART CHOICE

ICE MAKER

- Free Standing Ice Maker
- Ice Full & Add Water Indicator
- Express Clear Operation Control Panel With Ice Scoop



COMPACT AND PORTABLE

Compact, easy to clean, control and transport, the ice maker can be conveniently placed on kitchen countertops, in backyards, boats and other locations. Can be stored on a small shelf.

MULTI-PURPOSE USE

This efficient ice cube maker makes 9 ice cubes during a single batch. These ice cubes can be used for drinks like soda, juices, smoothie.



QUIET AND ENERGY EFFICIENT

Comes with a quiet compressor that requires low energy to cool.

IN-BUILT DISPLAY PANEL

The appliance comes with an in-built display panel. The display is backlight and generates large texts. The simple and clear control panel is user-friendly to operate.



SMART DESIGN

Efficiently designed with an automatic water-shortage warning and transparent viewing window that allows you to keep an eye on the amount of ice being produced. Premium quality of materials has been used while making this ice maker.

SUPERFAST OPERATION

The compressor of this ice cube maker uses 130 Watts of electricity. It is capable of making ice instantly. It has a powerful performance.



MAKING CAPACITY

This ice maker machine produces 12 kg of ice a day, and it stores up to 0.7 kg of ice.

COMPACT BODY

You will not have to sacrifice a lot of space for the Carysil Ice Cube Maker. Its body is highly compact and will easily fit on a small shelf. The premium quality of materials has been used while making this ice maker. A transparent view at the top allows you to keep an eye on the amount of ice produced



JOY ICE MAKER



TECHNICAL DETAILS

ICE MAKER CAPACITY:	12 KG / Per day
FINISH:	Silver inox finish
FEATURE:	Ice full & add water indicator
WATER STORAGE CAPACITY:	2.2 L
ICE STORAGE CAPACITY:	0.7 kg
AMBIENT TEMPERATURE:	10 to 40 °C
ICE CUBE QTY PER CYCLE:	9 Pcs
ICE CUBE SHAP:	Bullet
DIMENSION:	242x358x328 mm



SPARKLE ICE MAKER



TECHNICAL DETAILS

ICE MAKER CAPACITY:	12 KG / Per day
FINISH:	Black inox finish
FEATURE:	Ice full & add water indicator
WATER STORAGE CAPACITY:	2.2 L
ICE STORAGE CAPACITY:	0.8 kg
AMBIENT TEMPERATURE:	10 to 40 °C
ICE CUBE QTY PER CYCLE:	9 Pcs
ICE CUBE SHAP:	Bullet
DIMENSION:	242x358x328 mm



